

Clemco Abrasive Metering Valves Application Guide

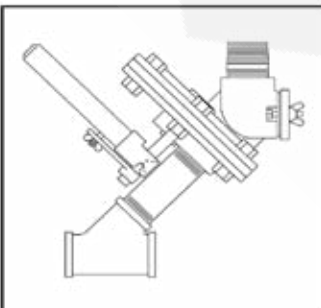
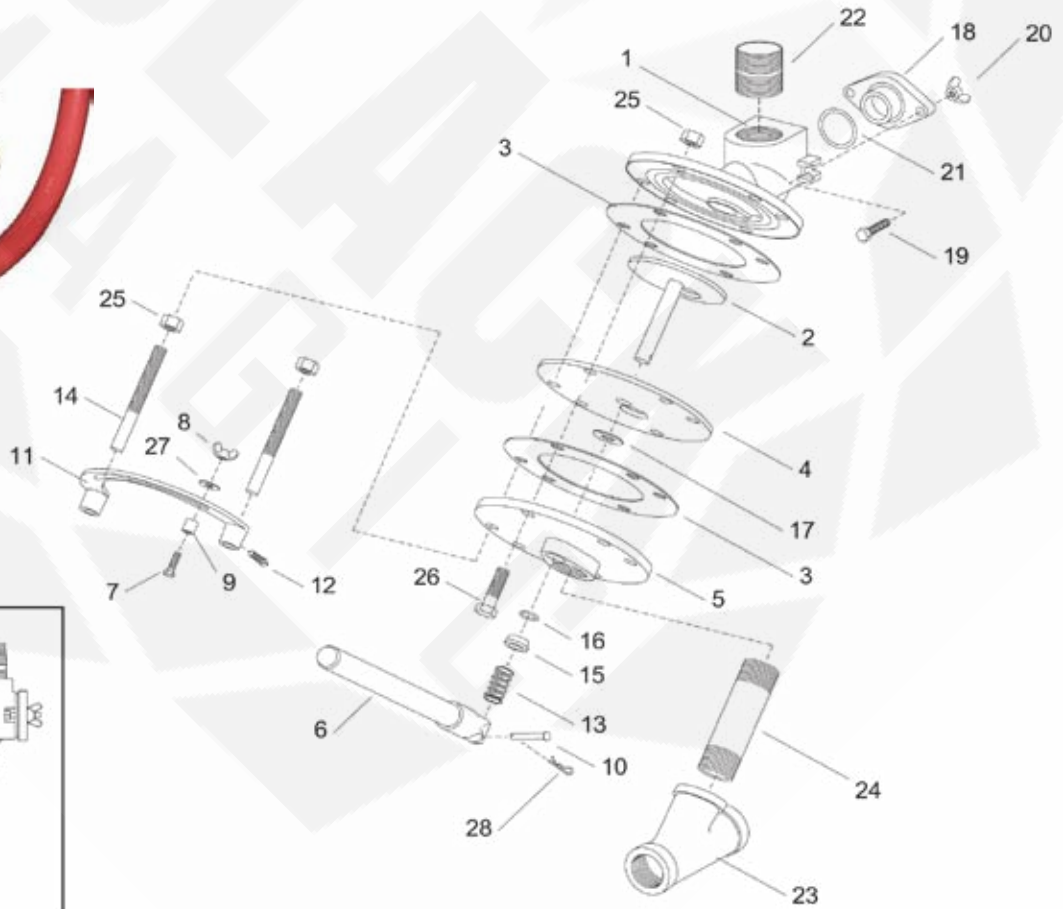
Model/Description	For use with	Stock #	Manual / Pneu.	Remote Control Type	Applications (Abr./Media)	Alternate Use
FSV Flat Sand Valve	Classic blast machine 2 cuft and larger	02427	Manual	Pressure Release	Use with expendable mineral and slag abrasives; plastic media, metallic media not recommended.	
MQV Manual Quantum Valve	Contractor and Classic Machines	22845	Manual	Pressure Release	Use with all common abrasives; mineral, slag or metallic.	
GritWizard Metering Valve	All blast machines with PH remotes or ACS	31158	Pneumatic	Pressure-Hold and Abrasive Cut-off	Use with all common media requires pressure of 80 psi.	
AQV Auto Quantum Valve	All blast machines with pressure- hold remotes or ACS. Job order blast machines, except Aerolyte	24447	Pneumatic	Pressure-Release and Abrasive Cut-off System	Use with most media; requires pressures above 80 psi. Not recommended for lightweight media.	
AQV-H Auto Quantum Valve Heavy-Duty	All blast machines with pressure- hold remotes or ACS. Job order blast machines, except Aerolyte	27525	Pneumatic	Pressure-Release and Abrasive Cut-off System	Use with most media; requires pressures above 80 psi. Use for high production applications. Not recommended for lightweight media.	
LMV Light Weight Media Valve	Soft King and Pool Pal machines	99555	Manual	Pressure Release	Use with baking soda, fine-mesh alumina silicate, kieserite, glass bead agricultural media or similar. Valve has 1/2" NPT connection.	
LPV Lo-Pot Valve	Lo-Pot machines	05680	Manual	Pressure Release	Use with expendable mineral and slag abrasives	
MPV Pinch Tube Valve	Not standard on any machines	04321	Manual	Pressure Release	Use with coarse steel grit (G-25 and larger) and #10 and larger nozzles.	2 cuft and larger Classic machines
MSV Valve	0.5 / 1 cuft Classic machines	01247	Manual	Pressure Release	Use with expendable mineral and slag abrasives. Not recommended for use with fine mesh or glass.	Machines with 1/2" piping
Sentinel Valve	Blast machines with pressure release remotes or ACS; industrial blast machines	20508	Pneumatic	Pressure Release	ACS applications; all media. Use with abrasives coarser than 50 mesh; requires 50 to 70 psi to fully open plunger.	2 cuft and larger Classic machines
Sentinel Valve without ACS	Blast machines with pressure release remotes; industrial blast machines	20608	Pneumatic	Pressure Release	All media. Use with abrasives coarser than 50 mesh. Requires 50 to 70 psi to fully open plunger.	2 cuft and larger Classic machines
Sentinel Valve Fine Mesh Model	Pressure cabinets and Super Comet	21439	Pneumatic	Pressure Release and ACS	Only for abrasives 50 mesh or finer. Features a urethane covered metering plate.	

# Clemco Air Blast Equipment & Parts

## Metering Valve - Flat Sand Valve (FSV) - Pressure Release

Description	Stock No.	Description	Stock No.
(-) FSV metering valve, complete	.....02427	14. Stud	.....02436
1. Upper body	.....02422	15. Packing gland	.....02437
2. Valve	.....02423	16. O-ring, 7/8" OD	.....21165
3. Gasket, rubber, 2 required	.....02424	17. Gasket, shaft	.....02439
4. Disc-stainless	.....02425	18. Inspection plate	.....02440
5. Lower body	.....02426	19. Cap screw 5/16-NC x 1" hex head	.....03152
6. Metering handle, heavy duty	.....20498	20. Wing nut, 5/16-NC	.....03213
7. Cap screw, 1/4-NC x 1" hex head	.....03053	21. O-ring	.....01990
8. Wing nut, 1/4-NC	.....03113	22. Nipple, heavy wall 1-1/2" x close	.....01791
9. Handle bolt spacer	.....02431	23. Wye, standard 1-1/4"	.....01818
10. Valve handle pin	.....20246	24. Nipple, 1-1/4" x 5"	.....01721
11. Gauge unit	.....02433	25. Nut, 1/2-NC hex	.....03511
12. Set screw, 1/4-NC x 1/2" square head	.....03080	26. Cap screw, 1/2-NC x 1-3/4" hex head	.....03455
13. Spring, compression	.....01982	27. Washer, 1/4" flat	.....03116
		28. Hitch pin	.....20245

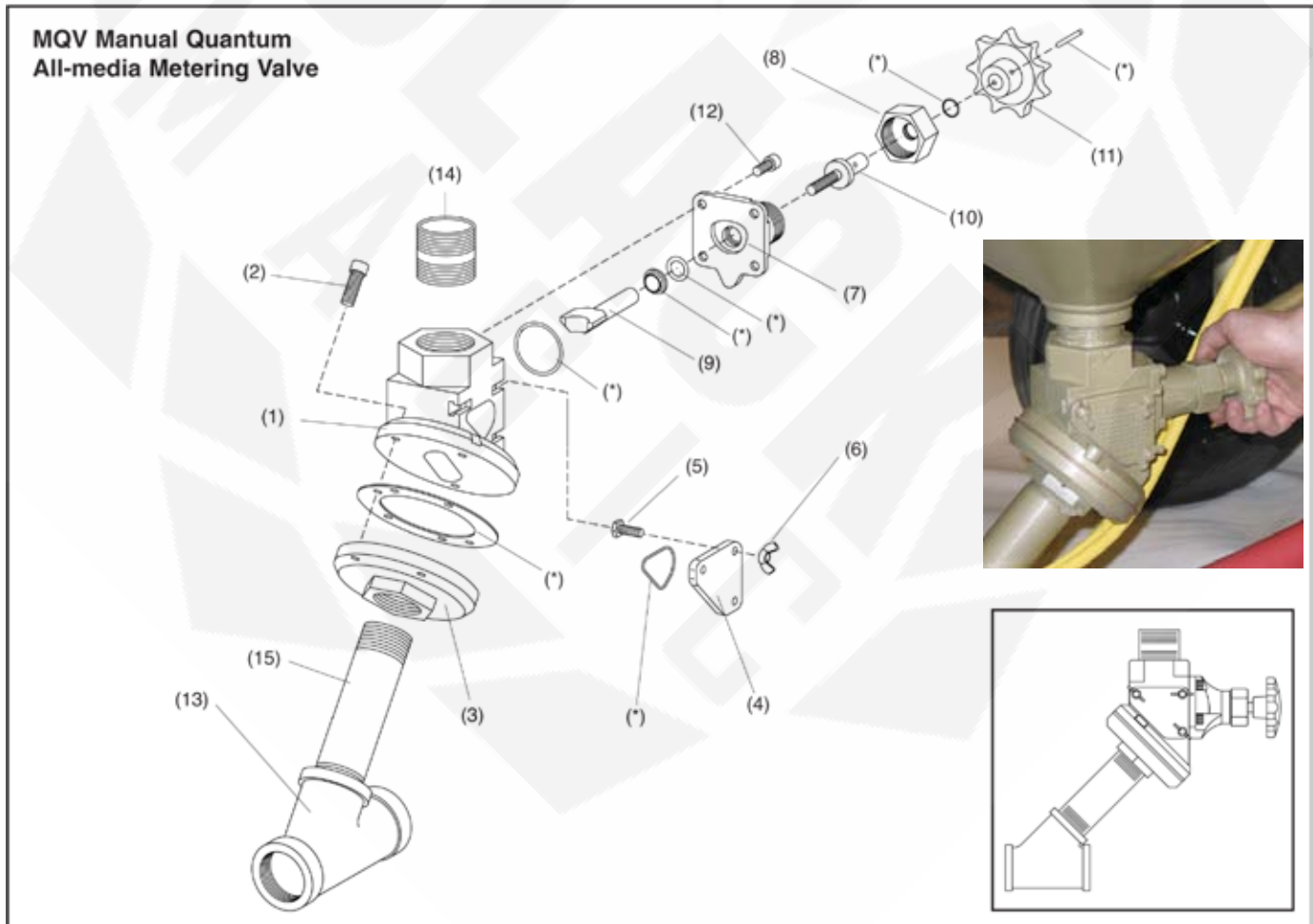
Flat Sand Valve



Clemco Metering Valves

**Metering Valve - Manual Quantum All Media - Pressure Release**

Description	Stock No.	Description	Stock No.
(-) MQV Manual Quantum metering valve complete .....	22845	7. Housing, knob.....	22761
(*) Service Kit Quantum Metering segment.....	22854	8. Nut, knob housing .....	22762
(see * on drawing)		9. Metering plate and shaft .....	22763
1. Adaptor flange w/insert .....	21314	10. Metering screw .....	22764
2. Screw, 3/8-NC x 1" socket head .....	22655	11. Knob, adjustment .....	22766
3. Lower body .....	22621	12. Screw, 5/16-NC x 3/4" socket head .....	22767
4. Inspection plate .....	22620	13. Wye, 1-1/4" .....	01818
5. Screw, 1/4-NC x 3/4" hex head cap, .....	03052	14. Nipple, 1-1/2" X 2" heavy wall .....	01840
6. Wing nut, 1/4-NC .....	03113	15. Nipple, 1-1/4" x 5-1/2" .....	01874
		(-) Conversion kit: Quantum rack & pinion to knob .....	22841

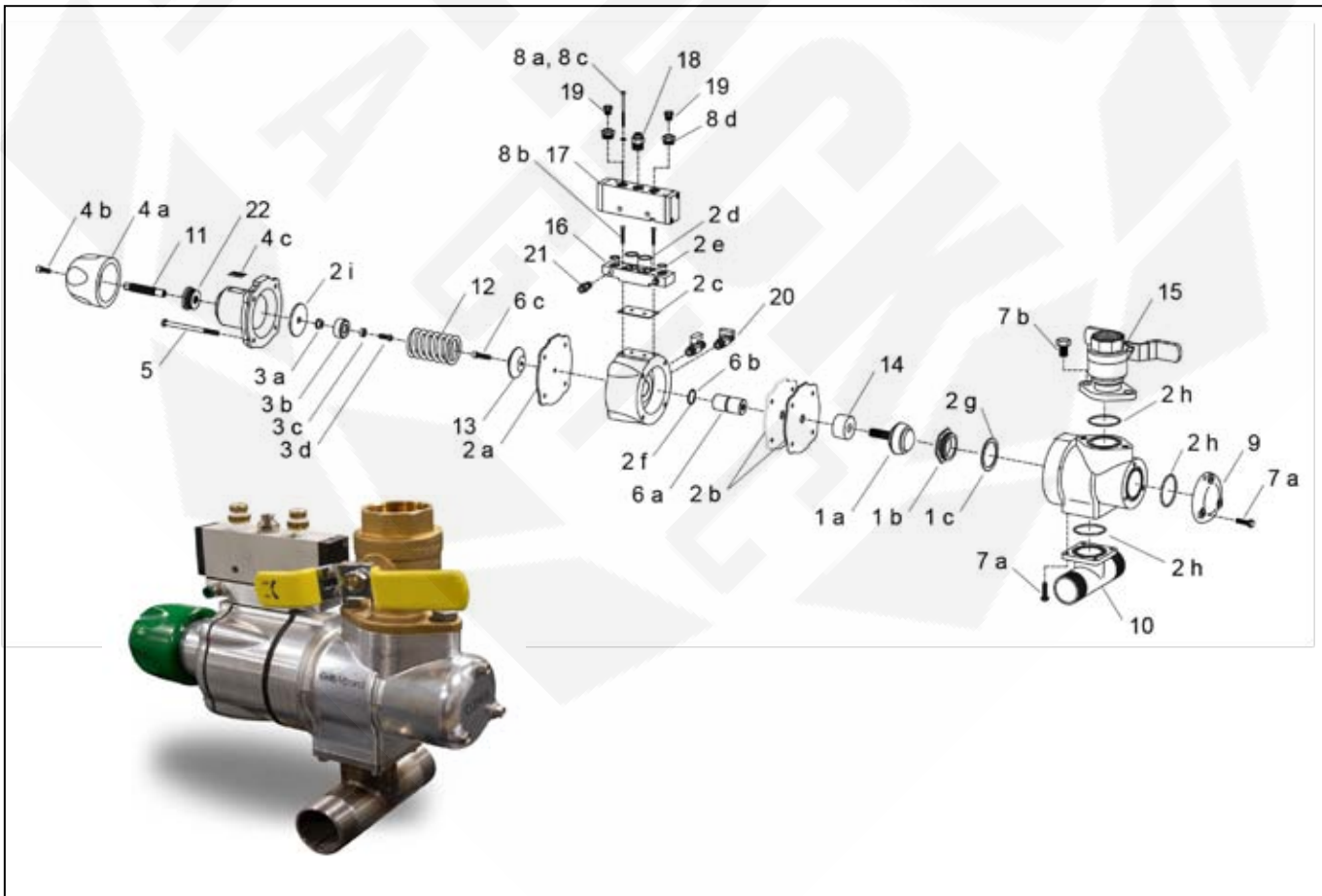


# Clemco Air Blast Equipment & Parts

## Metering Valve - Grit Wizard - Pressure Hold or Release

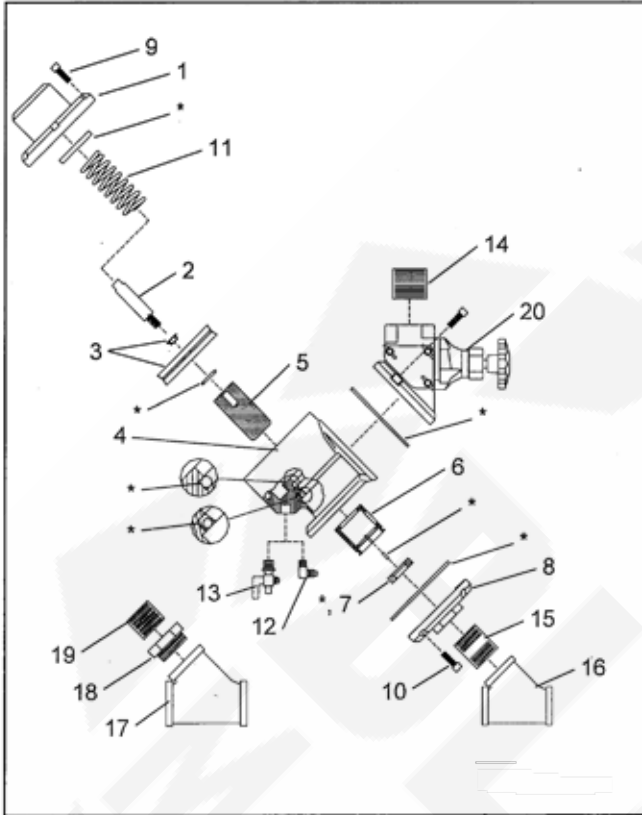
### (-) GritWizard abrasive metering valve

- |  |       |
|--|-------|
| with shutoff ball valve .....                  | 31158 |
| 1. Service kit, plunger and seat .....         | 31174 |
| a. Plunger (1)                                 |       |
| b. Seat, valve (1)                             |       |
| c. Gasket, valve seat (1)                      |       |
| 2. Service kit, O-rings and seals* .....       | 31175 |
| a. Diaphragm, spring chamber (1)               |       |
| b. Diaphragm, main body (2)                    |       |
| c. Gasket, 4-way adaptor plate (1)             |       |
| d. O-ring, 4-way valve, 3/4" ID x 7/8" OD (2)  |       |
| e. O-ring, 4-way valve, 1/2" ID x 5/8" OD (2)  |       |
| f. O-ring, spool, 7/8" ID x 1" OD (1)          |       |
| g. Gasket, valve seat (1)                      |       |
| h. O-ring, valve, 1-15/16" ID x 2-1/8" OD (3)  |       |
| i. Washer, knob damper (1)                     |       |
| 3. Service kit, thrust bearing assembly* ..... | 31176 |
| a. Spacer, thrust bearing (1)                  |       |
| b. Bearing, thrust (1)                         |       |
| c. Retainer, thrust bearing (1)                |       |
| d. Screw, 1/4 x 3/4" LP socket head (1)        |       |
| 4. Service kit, metering knob assembly* .....  | 31187 |
| a. Knob, metering (1)                          |       |
| b. Screw, metering knob (1)                    |       |
| c. Indicator gauge (decals) (1)                |       |
| 5. Service kit, valve body cap screws* .....   | 31210 |
| 1/4-20 x 4" SS hex head (set of 4)             |       |
| 6. Service kit, spool* .....                   | 31211 |
| a. Spool (1)                                   |       |
| b. O-ring, 7/8" ID x 1" OD (1)                 |       |
| c. Screw, 1/4-20 x 1" SS socket head (1)       |       |
| 7. Hardware kit, valve body* .....             | 31212 |
| a. Bolt, 1/4-20 x 1" hh flange (7)             |       |
| b. Screw, 1/2-13 x 3/4" SS hex head (2)        |       |
| 8. Hardware kit, 4-way valve* .....            | 31213 |
| a. Screw, #6-32 x 2-1/4 SS socket hd (2)       |       |
| b. Screw, #6-32 x 1" SS socket head (2)        |       |
| c. Washer, #6 SS flat (2)                      |       |
| d. Bushing 3/8-NPT x 1/4-NPT (2)               |       |
| 9. Cover, cleanout .....                       | 31153 |
| 10. Outlet pipe, 1-1/2" NPT .....              | 31155 |
| 11. Valve adjusting screw .....                | 31104 |
| 12. Spring .....                               | 31105 |
| 13 Washer, spring .....                        | 31135 |
| 14. Spacer, plunger .....                      | 31112 |
| 15. Valve, 1-1/2" NPT Flanged ball .....       | 31134 |
| 16. Adaptor plate, 4-way valve .....           | 31154 |
| 17. Valve, 4-way air pilot .....               | 31137 |
| 18. Fitting, 3/8" MNPT x 1/4" OD tube .....    | 31097 |
| 19. Muffler, 1/4" NPT .....                    | 03988 |
| 20. Valve, 1/4" NPT ball (safety valve) .....  | 01993 |
| 21. Fitting, 1/8" MNPT x 1/4" OD tube .....    | 11214 |
| 22. Indicator, valve-screw connection .....    | 31125 |



Clemco  
Metering Valves

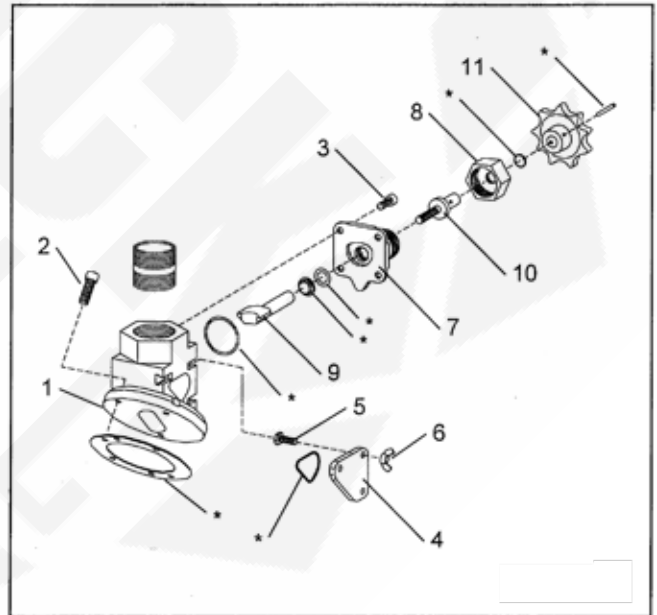
Metering Valve - Auto Quantum All Media - Pressure Hold



Item	Description	Stock No.
(-)	Auto-Quantum metering valve without wye and fittings .....	22760
	with 1-1/4-NPT wye and fittings .....	24447
*	Service kit, Quantum actuator .....	24446
1.	Cover, cylinder .....	21317
2.	Stop, piston .....	21323
3.	Piston-cup w/bushing .....	21329
4.	Valve body .....	21349
5.	Plunger, grit valve .....	21326
6.	Wear sleeve, grit valve .....	21342
7.	Seat, urethane .....	21344
8.	Flange, outlet w/retaining ridge .....	21319
9.	Screw, 5/16-NC x 1-3/4" socket head .....	21321
10.	Screw, 5/16-NC x 1" socket head .....	21318
11.	Spring .....	20600
12.	Adaptor, 1/4" NPT elbow .....	02513
13.	Petcock, 1/4" NPT .....	01993
14.	Nipple, 1-1/2" x close Schedule 80 .....	01791
15.	Nipple, 1-1/4" x 2" .....	01718
16.	Wye, 1-1/4" .....	01818
17.	Wye, 1-1/2" NPT .....	01819
18.	Bushing, 1-1/2 NPT x 1-1/4 NPT .....	01805
19.	Nipple, 1-1/4 x close HD .....	01854
20.	Metering assembly	

Quantum Metering Segment (#20 above)

Item	Description	Stock No.
*	Service kit, metering section .....	22854
1.	Upper body, flanged .....	21314
2.	Screw, 3/8-NC x 1" socket head .....	22655
3.	Screw, 5/16-NC x 3/4" socket head .....	22767
4.	Cover, cleanout .....	22620
5.	Screw, 1/4-NC x 3/4" hex head cap .....	03052
6.	Nut, 1/4-NC wing .....	03113
7.	Housing, knob .....	22761
8.	Nut, knob-housing .....	22762
9.	Metering plate and shaft .....	22763
10.	Metering screw .....	22764
11.	Knob, adjustment .....	22766



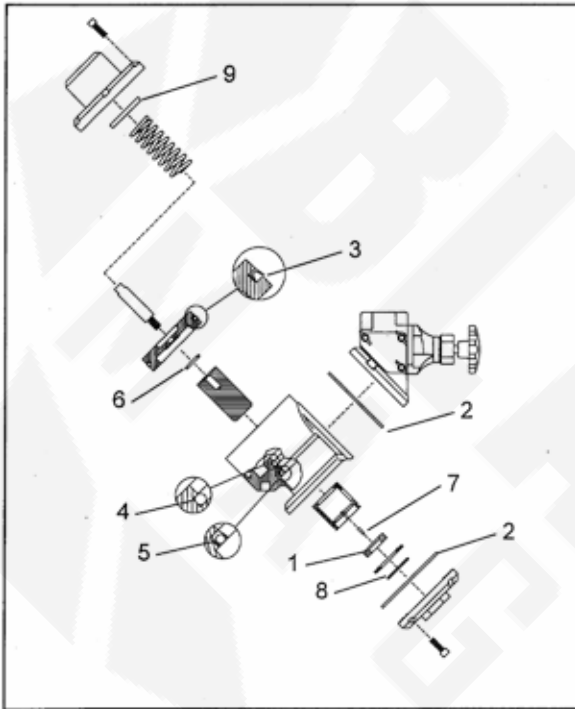
Clemco  
Metering Valves

## Metering Valve - Quantum All Media - Service Kits

### 24446 SERVICE KIT QUANTUM ACTUATOR

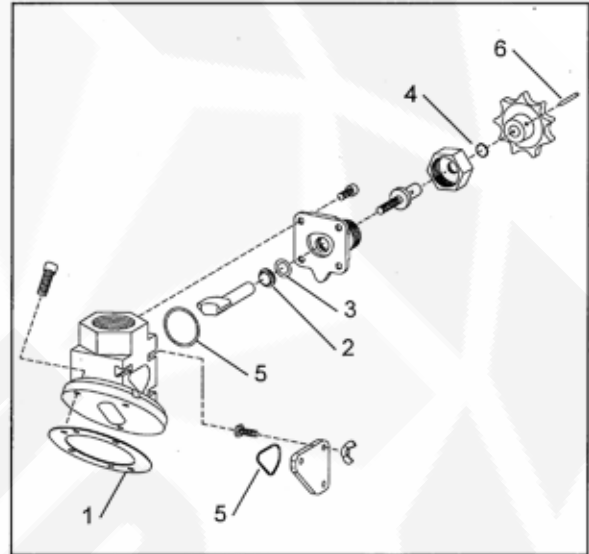
Item	Qty	Description
1.	1	Seat, urethane
2.	2	Gasket, flange
3.	1	U-seal, 3-1/2" ID (For old style alum. piston)
4.	1	O-ring, 1-1/2" ID x 3/16" nom.
5.	1	Wiper, plunger
6.	1	O-ring, 31/64" ID
7.	1	Roll pin, 1/8" x 1/2"
8.	1	O-ring, 1-1/2" ID x 3/32" nom.
9.	1	Felt disc

Item 8 is not used with current 21319 outlet flange. Used with early 22077 flange requiring a separate 22429 retaining ring.



### 22854 SERVICE KIT QUANTUM METERING SECTION

Item	Qty	Description
1.	1	Flange gasket
2.	1	Wiper seal
3.	1	O-ring, 3/4" OD nominal
4.	1	O-ring, 5/8" OD nominal
5.	2	O-ring 1-1/2" ID nominal
6.	1	Roll Pin



Metering Valve - Sentinel - Pressure Hold

Description Stock No.

For abrasives coarser than 50 mesh:

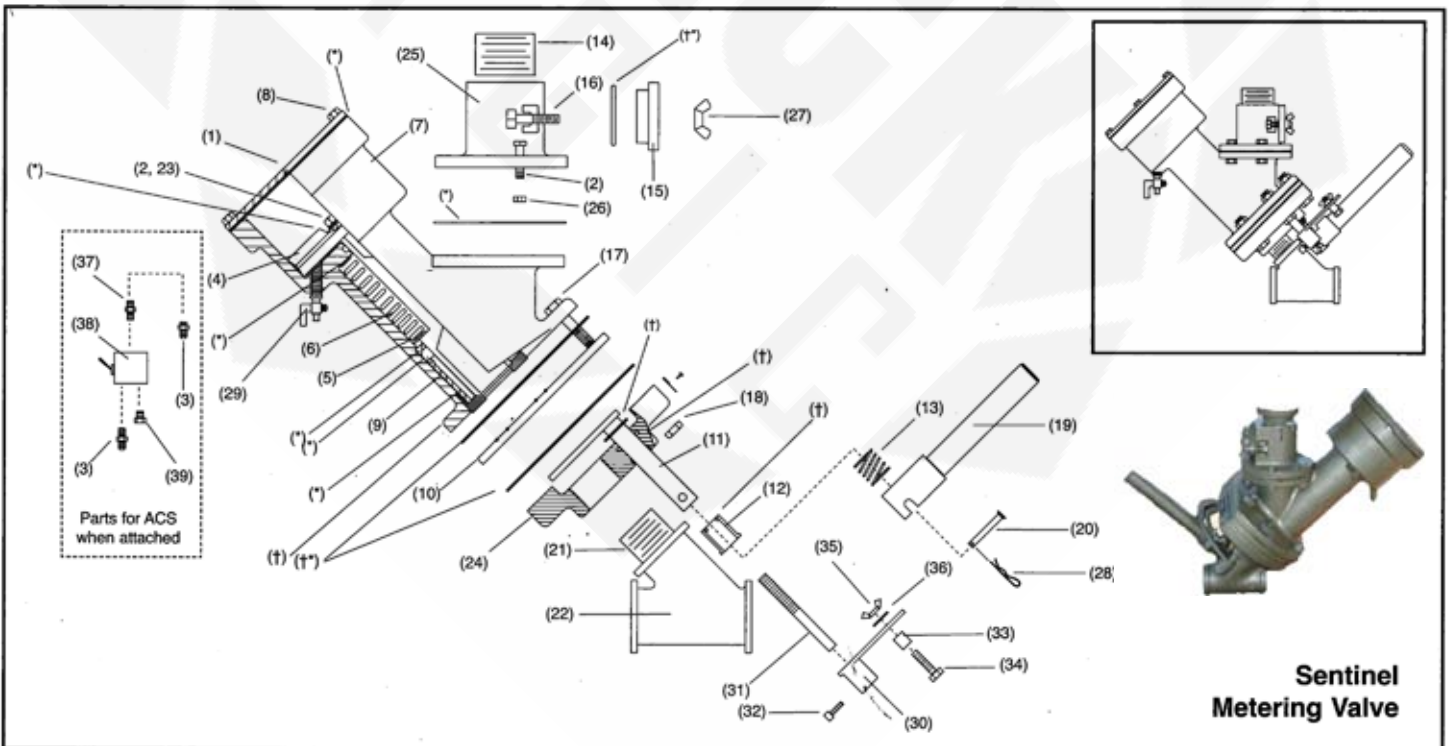
- (-) Sentinel valve with attached ACS .....20508
- (-) Sentinel valve without attached ACS .....20608

For abrasives 50 mesh or finer:

- (-) Sentinel valve without ACS .....21439
- 1. Cylinder cap .....20512
- 2. Cap screw, 3/8-NC x 1-1/2" 03269
- 3. Adaptor, 1/8" NPS .....01940
- 4. Rubber piston-cup .....20515
- 5. Piston, shut-off .....20494
- 6. Spring, 2" OD x 4-1/2" .....20600
- 7. Upper body .....20514
- 8. Cap screw, 5/16-NC x 3/4" ....03151
- 9. Wear sleeve .....20495
- 10. Seat plate .....20497
- 11. Metering plate & stem  
coarse abrasive .....20499  
fine abrasive .....21438
- 12. Packing gland .....21021
- 13. Spring, 5/8" ID x 1-11/16" ....01982
- 14. Close nipple, 1-1/2" .....01791
- 15. Inspection plate .....02440
- 16. Cap screw, 5/16-NC .....19509
- 17. Cap screw 1/2-NC .....03457

Description Stock No.

- 18. Nut, 1/2-NC hex head.....03511
- 19. Handle, metering .....20498
- 20. Pin, valve handle .....20246
- 21. Close nipple, 1-1/4" .....01717
- 22. Wye, 1-1/4" standard .....01818
- 23. Washer, 5/16 flat.....03216
- 24. Lower body .....20511
- 25. Flanged adaptor w/  
inspection opening .....20513
- 26. Nut, 3/8-NC hex head.....03311
- 27. Nut, 5/16-NC wing .....03213
- 28. Hitch pin .....20245
- 29. Petcock.....01993
- 30. Gauge unit .....02433
- 31. Stud, gauge unit .....02436
- 32. Set screw, 1/4-NC, .....03080
- 33. Spacer, handle bolt.....02431
- 34. Cap screw, 1/4-NC x 1-1/4" ..03054
- 35. Nut, 1/4-NC wing .....03113
- 36. Washer, 1/4 flat.....03116
- 37. Connector, 1/8 brass .....01962
- 38. Valve, 3-way, ACS .....07658
- 39. Breather muffler .....07657
- (\*) Upper service kit.....22388
- (t) Lower service kit.....22389



Sentinel Metering Valve

Clemco Metering Valves

## Metering Valve - Sentinel - Service Kits

### Replacement Valves

- (-) Sentinel valve with attached ACS, standard-use for abrasives coarser than 50-mesh, with inspection plate .....20508  
without inspection opening .....20509
- (-) Sentinel valve, w/o attached ACS, standard-use for abrasives coarser than 50-mesh, with inspection plate .....20608  
without inspection opening .....20609
- (-) Sentinel valve w/o attached ACS, fine-mesh for abrasives 50-mesh and finer with inspection plate .....21439

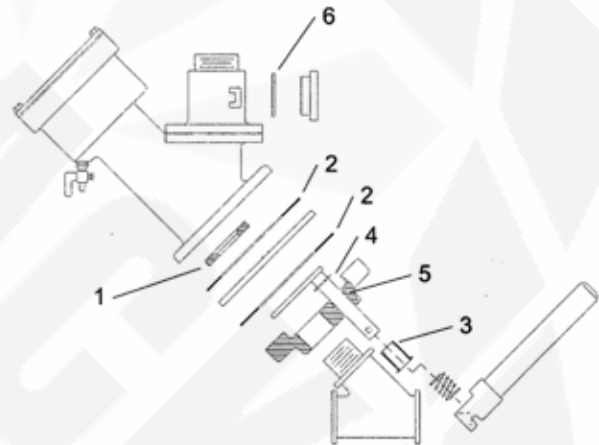
### Service Kits

- (-) Service kit, upper segment .....22388

- (-) Service kit, lower segment .....22389

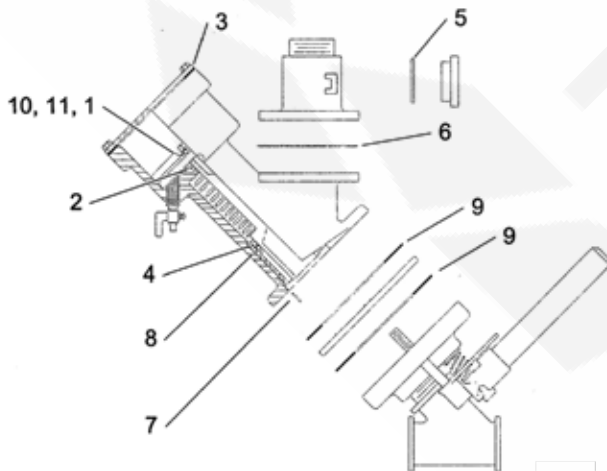
### 22389 LOWER-SEGMENT SERVICE KIT

Item	Qty.	Description
1.	1	Seat, rubber
2.	2	Gasket, seat plate
3.	1	O-ring, gland, 5/8" ID nom.
4.	2	Gasket, shaft (One is for standard-use [coarse media] has a 1-3/8" nominal OD) (One is for a urethane plate [fine-mesh] has a 1" nominal OD)
5.	1	O-ring, lower body 1" ID
6.	1	O-ring, Inspection plate, 1-3/4" OD nom.



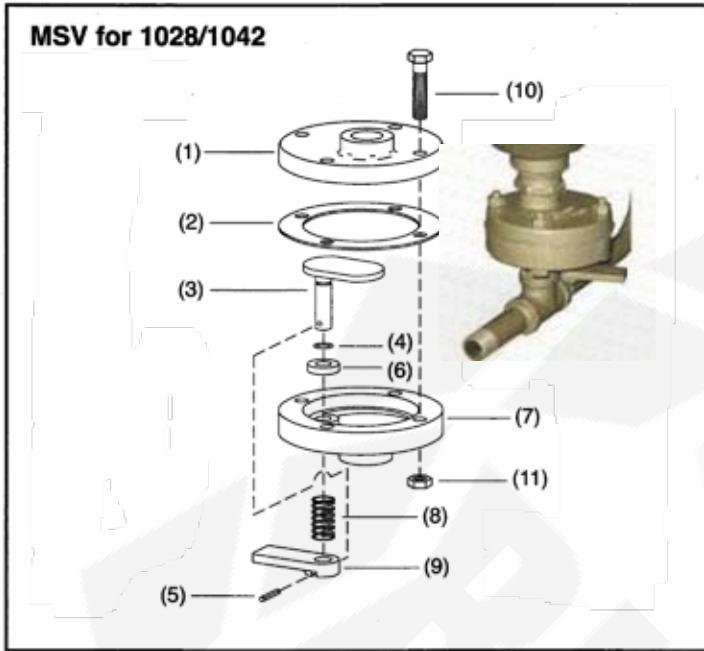
### 22388 UPPER-SEGMENT SERVICE KIT

Item	Qty.	Description
1.	1	Washer, rubber backed
2.	1	O-ring, piston shaft bore, 3/4" ID nom.
3.	1	Gasket, cylinder cap
4.	2	U-seal
5.	1	O-ring, inspection plate 1-3/4" OD nom.
6.	1	Gasket, flanged adaptor
7.	1	Roll pin, 1/16" x 1/2"
8.	1	O-ring, Main body, 2-1/4" nom.
9.	2	Gasket, seat plate
10.	1	Cap screw, 3/8-NC x 2"
11.	1	Washer, 5/16" flat

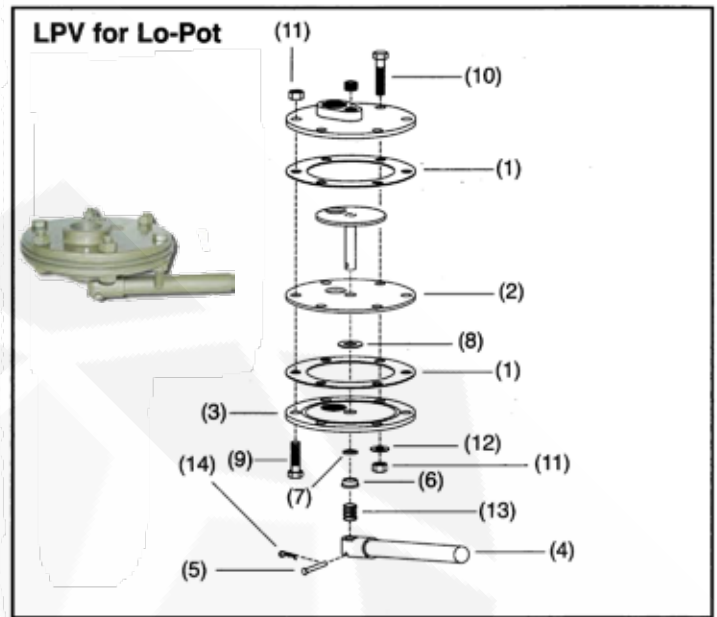




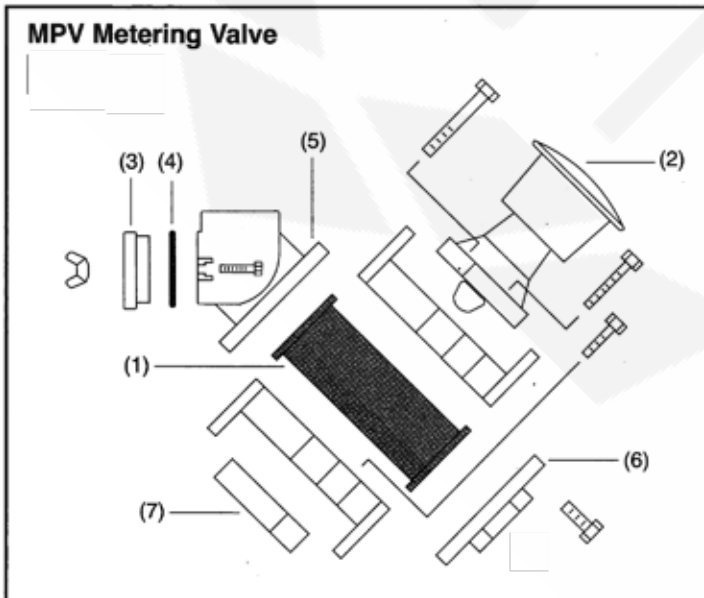
Metering Valves - Miscellaneous Valves



Description	Stock No.
(-) <b>MSV Metering Valve</b> .....	01247
1. MSV top casting .....	01258
2. Gasket, valve body .....	01260
3. Metering plate & stem .....	01261
4. O-ring .....	00794
5. Pin, spring .....	01263
6. Washer, nylon .....	01266
7. MSV bottom casting .....	01259
8. Spring, 17/32" OD X 1" .....	02178
9. MSV Handle .....	01262
10. Cap screw, 5/16-NC x 1-3/4" .....	purchase locally
11. Nut, 5/16-NC hex .....	purchase locally



Description	Stock No.
(-) <b>LPV Metering Valve</b> .....	05680
1. Rubber gasket, 2 required .....	02424
2. Disc, stainless .....	02425
3. Lower body .....	02426
4. Handle, abr mtrg, hvy dty .....	20498
5. Pin, clevis 1/4 x 1-3/8" .....	20246
6. Packing gland .....	02437
7. O-ring, 7/8" OD x 5/8" ID .....	21165
8. Gasket, shaft abr valve .....	02439
9. Screw, 1/2" x 1-3/4", hex head, 4 required .....	03455
10. Screw, 1/2" x 2-1/2", hex head, 2 required .....	03457
11. Nut, 1/2" hex, 6 required .....	03511
12. Washer, 1/2" SAE flat, 2 required .....	03515
13. Spring .....	05633
14. Pin, hitch, cotter, 1/4"-5/16" .....	20245



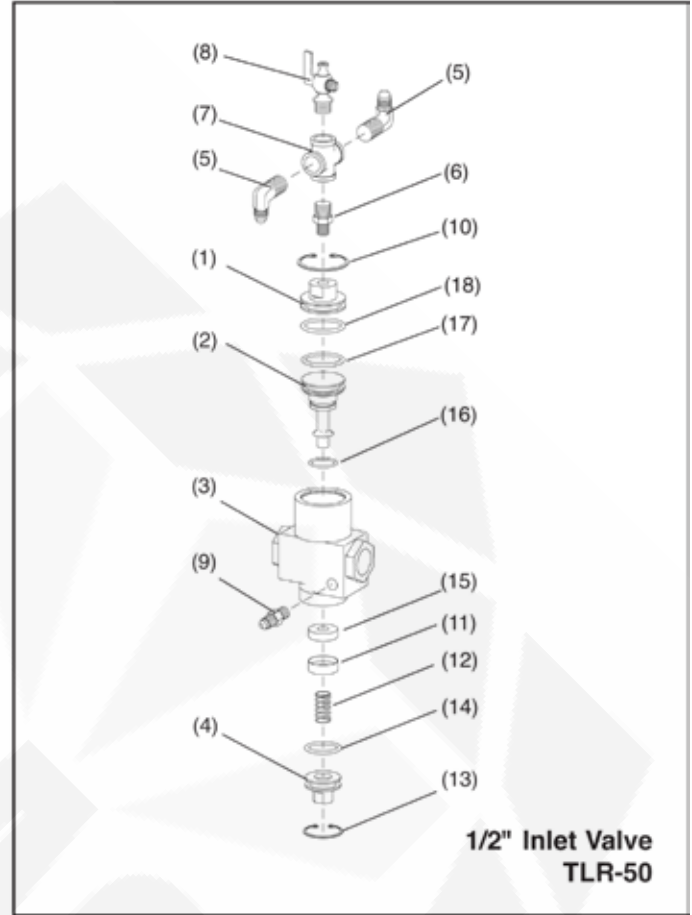
Description	Stock No.
(-) <b>MPV Metering Valve</b> .....	04321
(-) Wye, 1-1/4" pipe .....	01818
1. Tube, pinch valve .....	04635
2. Metering knob assem. ....	05072
3. Inspection plate .....	02440
4. O-ring, 1-3/4" OD .....	01990
5. 45° adaptor flange .....	05672
6. Flange adaptor .....	05673
7. Cover plate .....	05674

Clemco  
Metering Valves

# Clemco Air Blast Equipment & Parts

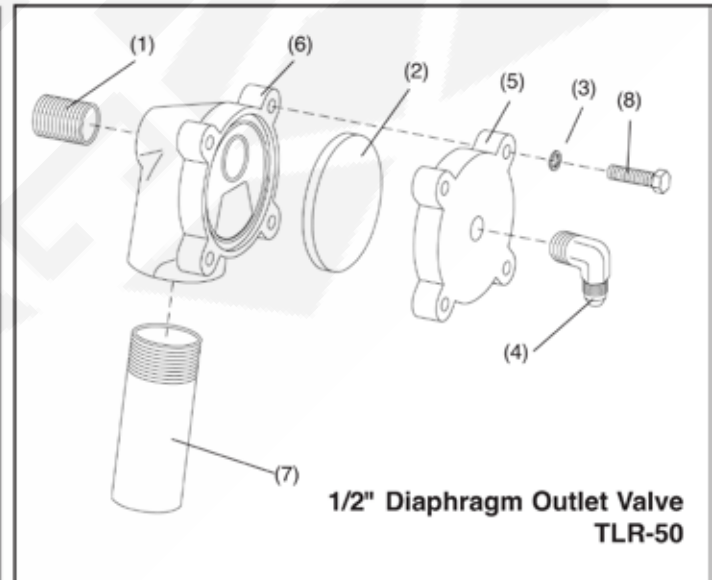
## Inlet and Outlet Valves - TLR 1/2"

Description	Stock No.
(-) 1/2" Inlet valve, complete	.....02164
1. Cap	.....02175
2. Piston	.....02192
3. Body	.....02170
4. Plug, bottom	.....02176
5. Elbow, 1/4" NPT adaptor	.....02513
6. Reducer, 1/4" NPT adaptor	..... 02026
7. Cross, 1/4" NPT adaptor	.....02193
8. Petcock, 1/4" NPT adaptor	.....01993
9. Adaptor, 1/8" NPT adaptor w/ 1/16" orifice	.....01945
10. Retaining ring, cap	.....02181
11. Retainer, washer	.....02177
12. Spring, 17/32" OD x 1" long	.....02178
13. Retaining ring, bottom plug	.....02180
14. O-ring 7/8" ID x 1/8" cross sect.	.....02184
15. Washer	.....02179
16. O-ring 3/4" ID x 3/32" cross sect.	.....02185
17. O-ring 1-1/8" ID x 1/8" cross sect.	.....01097
18. O-ring 1-3/16" ID x 1/8" cross sect.	.....02182



Service kit, includes  
 02181, 02177, 02178,  
 02180, 02184, 02179,  
 02185, 01097, and  
 02182 .....07814

Description	Stock No.
(-) 1/2" Diaphragm outlet valve, complete	.....02512
1. Nipple, 1/2" NPT x close	.....01733
2. Diaphragm	.....02511
3. Washer, 1/4" lock	.....03117
4. Elbow, 1/4" NPT adaptor	.....02513
5. Cap	.....02299
6. Body	.....02298
7. Nipple, 1" NPT x 3: TOE	.....01841
8. Screw, 1/4" NC x 1" cap	.....03053

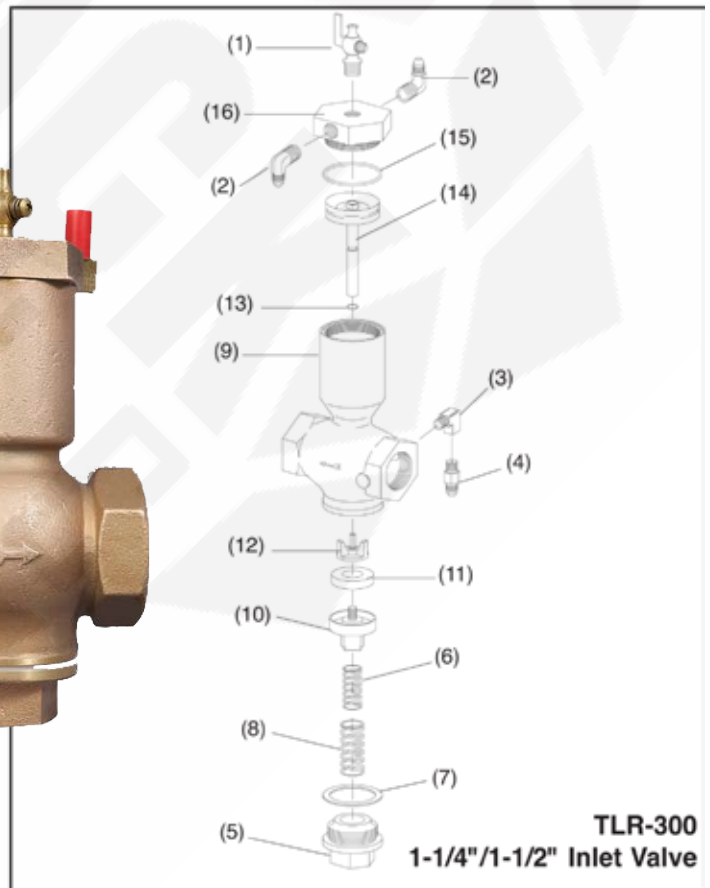
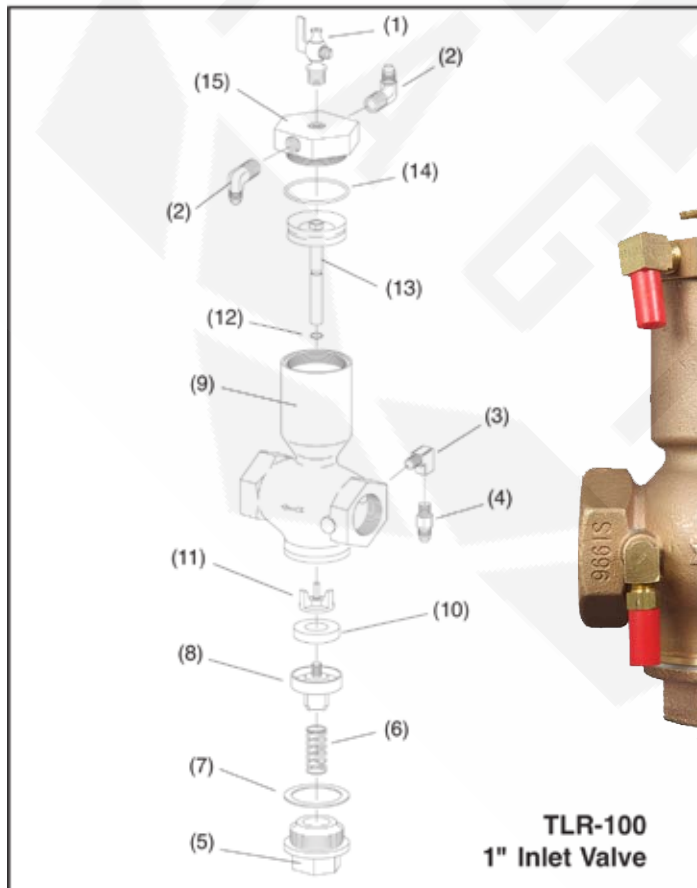


Clemco Remote Systems

Inlet Valves - TLR 1" and 1-1/4" / 1-1/2"

Description	Stock No.
(-) 1" Inlet valve, complete.	01980
1. Petcock 1/4" NPT	01993
2. Elbow, 1/8" NPT adapt.	02827
3. Elbow, 1/8" brass street	03993
4. Adaptor 1/8" NPT with 1/16" orifice	01945
5. Bottom cap	01985
6. Spring, 5/8" x 1-11/16" long	01982
7. Seal, bottom cap	01989
8. Valve plug	01984
9. Valve body	01981
10. Washer, valve plug	01969
11. Retainer, valve plug washer	01986
12. O-ring 3/16" ID x 1/16"	01992
13. Piston & rod assembly	01987
14. O-ring 1-3/4" OD	01990
15. Valve cap	01983
(-) Service kit, includes 01982, 01989, 01986, 01992, 01990, and 2 ea 01969	01929

Description	Stock No.
(-) 1-1/4"/1-1/2" Inlet valve, complete	01995
1. Petcock 1/4" NPT	01993
2. Elbow, 1/4" NPT adapt	02513
3. Elbow, 1/8" brass street	03993
4. Adaptor 1/8" NPT w/ 1/16" orifice	01945
5. Bottom cap	02001
6. Spring, inner, 5/8" x 1-11/16" long	01982
7. Gasket, bottom cap	02006
8. Spring, outer	02000
9. Valve body	01996
10. Valve plug	01999
11. Washer, valve plug	01998
12. Retainer, valve plug washer	02002
13. O-ring, 7/16" OD	02008
14. Piston and rod assy.	02003
15. O-ring 2-1/4" OD	02007
16. Valve cap	01997
(-) Service kit, includes 01982, 02006, 02000, 02008, 02007, and 2 ea 01998	01927



Clemco Remote Systems

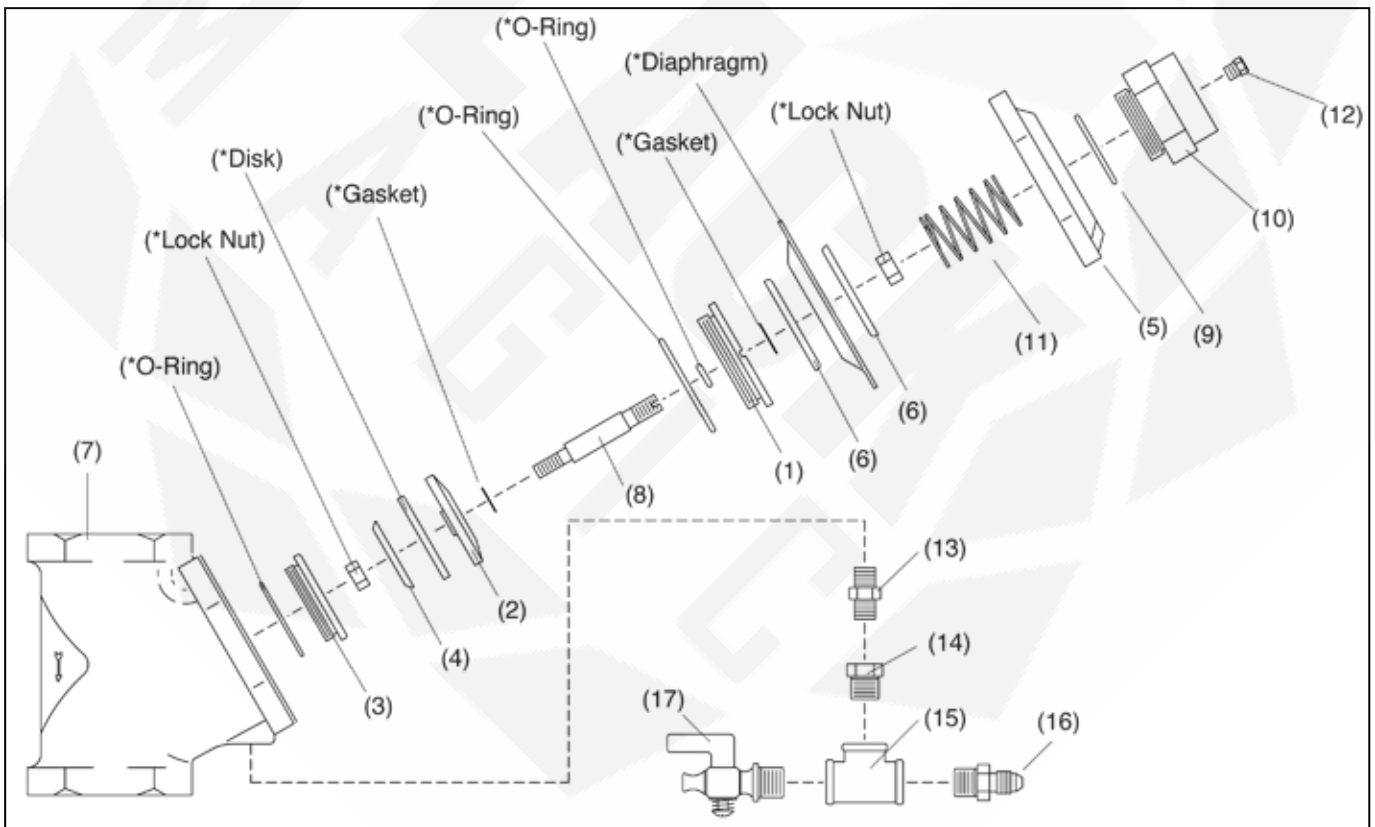
# Clemco Air Blast Equipment & Parts

## Air Valve - 1-1/4" ACE

Description	Stock#
<b>ACE 1-1/4" Air valve assembly</b> (valve with items 12 through 17) .....	24044
<b>ACE 1-1/4" Air Valve</b> (valve without items 12 through 17) .....	24074
<b>ACE air valve, 1-1/2" with fitting</b> .....	25289

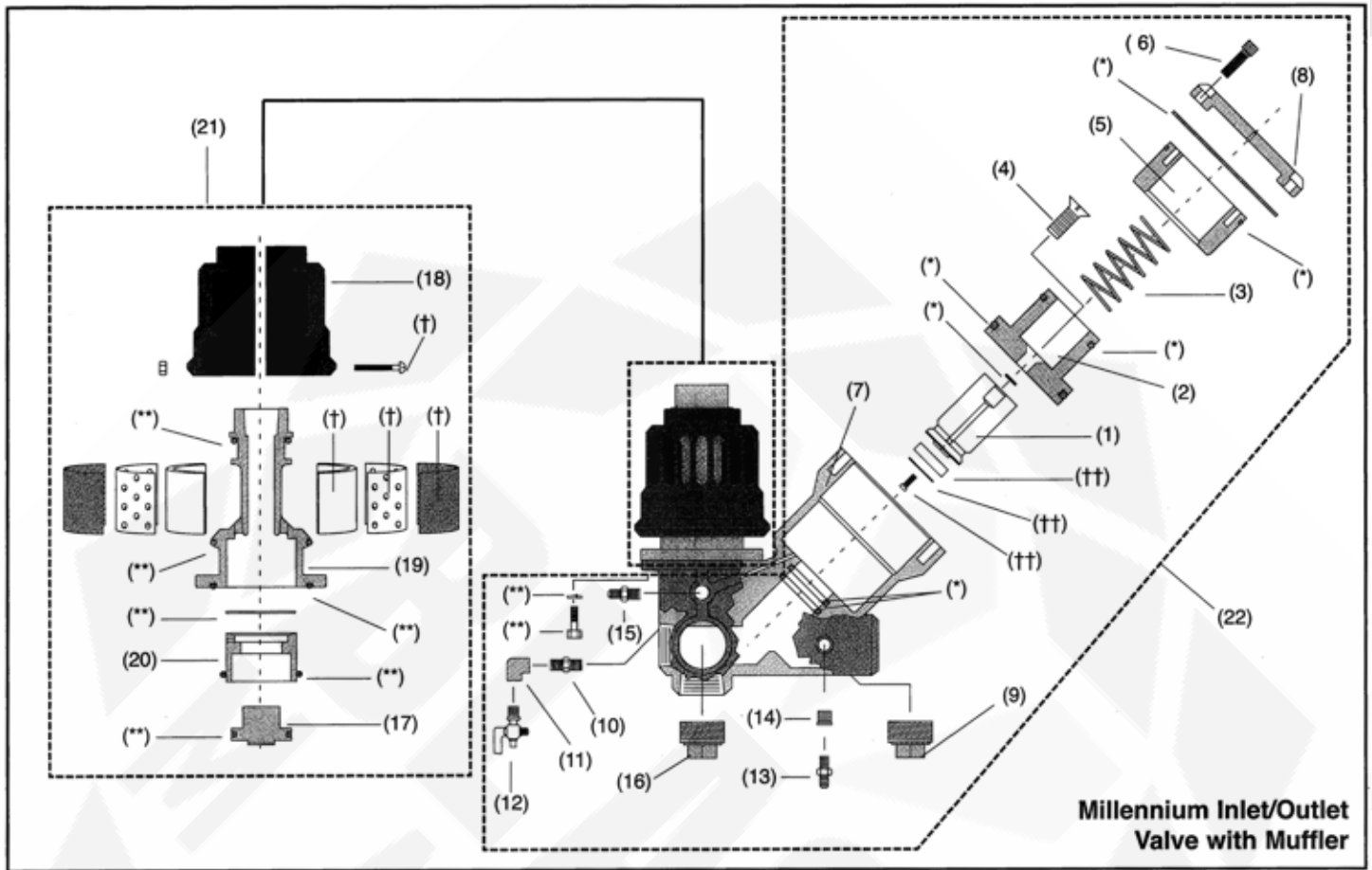
This air valve is used in pressure-hold remote control systems. It may be used in place of the PVR air valve or the Auto Quantum air valve; substitution may require piping modifications.

Description	Stock#
(-) <b>Service kit 1-1/4" and 1-1/2"</b> , includes items marked in above illustration with asterisk .....	24075
1. Guide bushing .....	24076
2. Retainer, disk .....	24077
3. Seat .....	24078
4. Disk plate .....	24079
5. Cap .....	24089
6. Plate, diaphragm, ea .....	24090
7. Body .....	24091
8. Stem .....	24092
9. Gasket, spring retainer .....	24093
10. Retainer, spring .....	24094
11. Spring .....	24095
12. Breather muffler, 1/8" NPT .....	07657
13. Connector, 1/8" NPT brass .....	01962
14. Bushing, 1/4" x 1/8" NPT brass .....	02010
15. Tee, 1/4" NPT brass .....	02025
16. Adaptor, 1/4" NPT .....	02494
17. Petcock, 1/4" NPT brass .....	01993
(-) <b>Tools</b>	
• Guide bushing tool .....	24191
• Seat tool .....	24192



Clemco Remote Systems

Inlet Valve - Millennium - for Contractor Blast Pot



Millennium Inlet/Outlet Valve with Muffler

Description	Stock No.
(-) Millennium inlet/outlet valve, complete	21336
1. Plunger, urethane tip	22600
2. Dual piston	22602
3. Spring, compression	22604
4. Screw w/internal thread for puller	22650
5. Upper sleeve	22603
6. 5/16-NC x 1.25 socket head screw, 6 reqd.	22611
7. Inlet valve body	21338
8. Cylinder cap	21339
9. 1-1/2" plug	02477
10. 1/4" hex nipple	02808
11. 1/4" x 90 female pipe elbow	06373
12. 1/4" petcock	01993
13. 1/8" NPT adaptor with 1/16" orifice	01945
14. Brass bushing, 1/4" x 1/8"	02010
15. 1/4" NPS adaptor	02494
16. 1-1/4" pipe plug	01762
17. Piston	22613

Description	Stock No.
18. Muffler housing set	25988
19. Exhaust valve body	21345
20. Inner sleeve	22612
21. Outlet segment/muffler assembly	21731
22. Inlet segment (std.)	21730
Inlet segment (engrd. prod.)	23620

**Service Kits**

(-) Millennium super service kit, includes 22856, 22857, 22868, and 22898	22899
(*) Inlet segment seals	22856
(**) Outlet segment	22857
(†) Outlet muffler	22868
(††) Plunger tip	22898

**Note:**

Kit components are not available individually.



Clemco Remote Systems

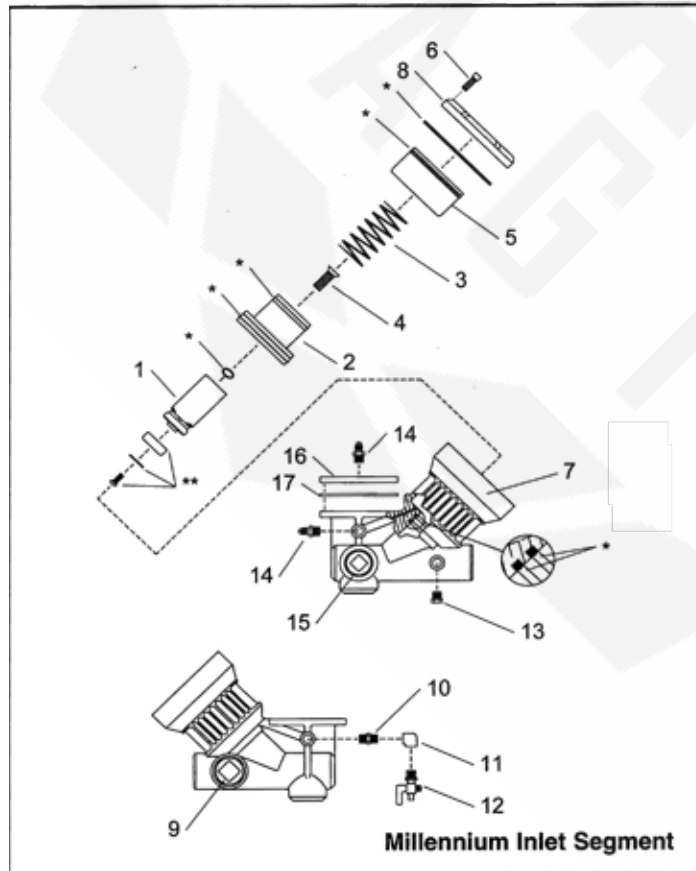
# Clemco Air Blast Equipment & Parts

## Inlet Valve - Millennium - Inlet Segment for Blast Room Machine

### Millennium Valve, Inlet Segment Blast Room Machine

**Description** **Stock No.**

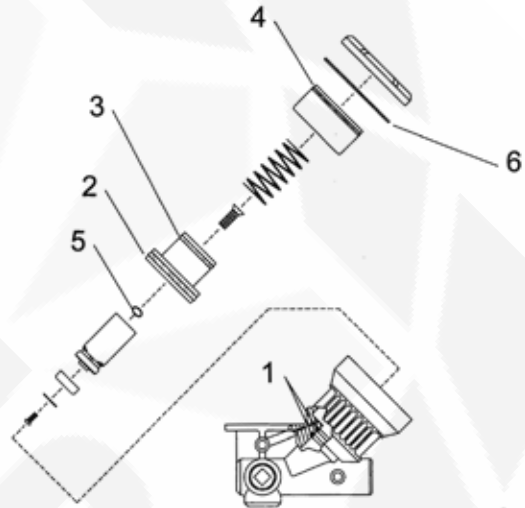
- \* Service kit, inlet seals .....22856
- \*\* Service kit, plunger tip .....22898
- (-) Millennium inlet valve .....23620
- 1. Plunger .....22600
- 2. Dual piston.....22602
- 3. Spring, 4" long .....22604
- 4. Screw, socket, w/internal threads.....22650
- 5. Sleeve, cylinder .....22603
- 6. Screw, 5/16"-NC x 1-1/4", socket head .....22611
- 7. Body, inlet valve .....21338
- 8. Cap, cylinder .....21339
- 9. Plug, 1-1/2" NPT .....02477
- 10. Nipple, 1/4" NPT hex .....02808
- 11. Elbow, 1/4" NPT 90° female .....06373
- 12. Petcock, 1/4" NPT .....01993
- 13. Plug, 1/4" NPT .....01950
- 14. Adaptor, 1/4" NPT .....02494
- 15. Plug, 1-1/4" NPT .....01762
- 16. Plate, remote outlet adaptor .....23597
- 17. Gasket, adaptor plate .....23261



### 22856 SERVICE KIT MILLENNIUM INLET SEGMENT SEALS

Refer to owner's manual for service instructions.

Item	Qty	Description
1.	2	O-ring, 2/1/8" OD, nominal
2.	1	U-seal, dual piston lower, 3-1/2" ID
3.	1	U-seal, dual piston upper, 2-3/8" ID
4.	1	O-ring, 4-1/8" OD, nominal
5.	1	O-ring, 31/64" ID, nominal
6.	1	Gasket, cylinder cap

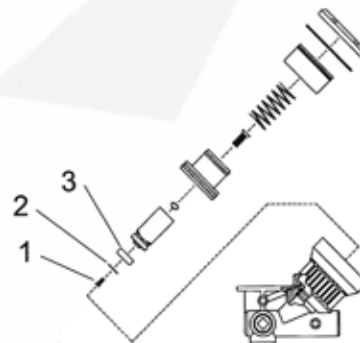


**Inlet Seal Kit**

### 22898 SERVICE KIT MILLENNIUM PLUNGER TIP

Refer to owner's manual for service instructions.

Item	Qty	Description
1.	1	Screw, 5/16"-NC button head
2.	1	Washer, plunger tip
3.	1	Tip, replaceable plunger

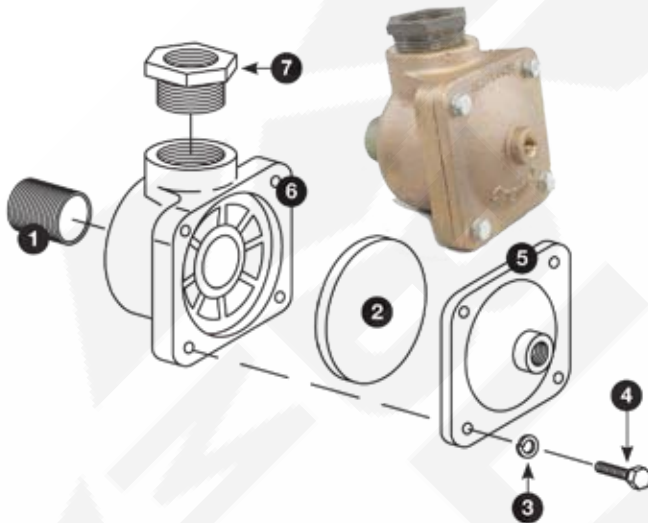


**Plunger Tip Kit**

Outlet Valves - TLR 1"

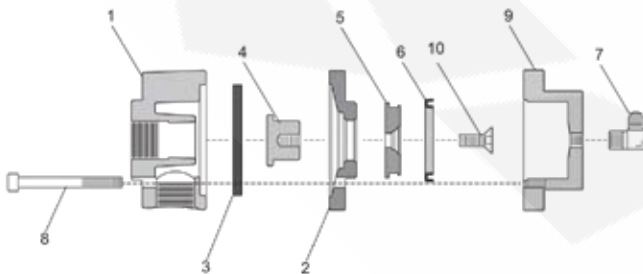
**Description** **Stock#**

- (-) 1" Diaphragm outlet valve, complete .....03371
- 1. Nipple, 1" x close.....01701
- 2. Diaphragm.....06149
- 3. Lockwasher, 1/4".....03117
- 4. Cap screw, 1/4"-NC x 1" hex head .....03053
- 5. Cap, diaphragm outlet valve .....03393
- 6. Body, diaphragm outlet valve .....06135
- 7. Bushing, 1-1/4" x 1" .....01804



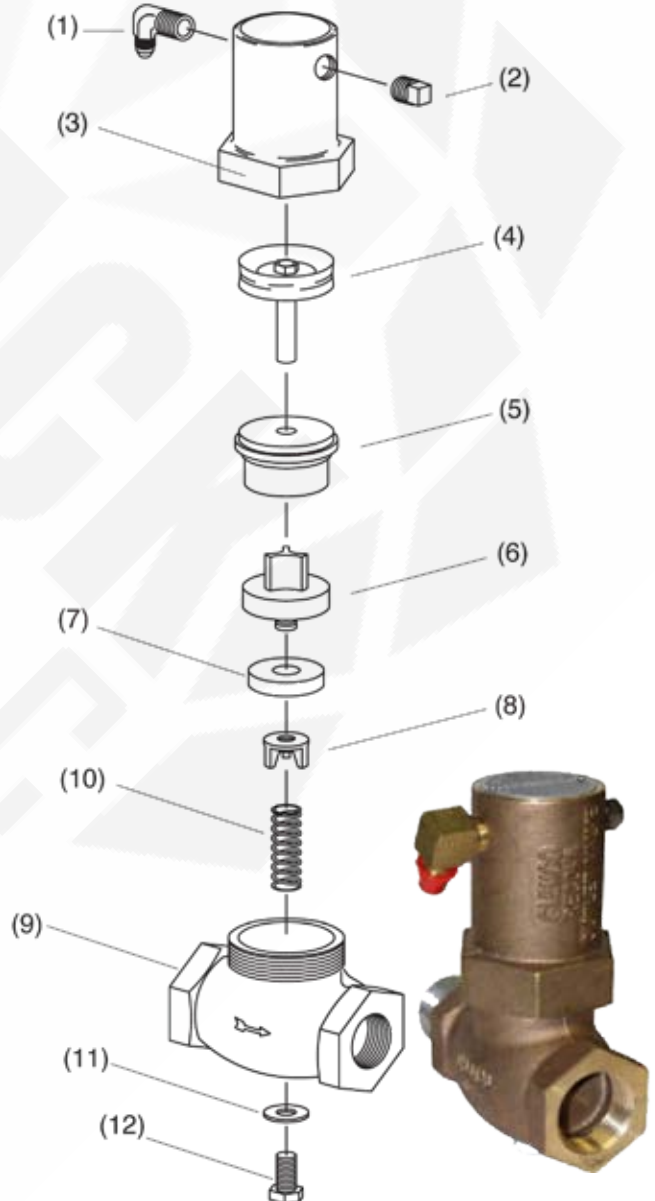
**Description** **Stock#**

- (-) RMS Outlet valve, complete .....21764
- 1. Upper body, outlet valve .....100015
- 2. Guide, diaphragm piston .....100017
- 3. Diaphragm.....100016
- 4. Piston, diaphragm .....100014
- 5. Piston, U-seal .....100018
- 6. U-seal .....100020
- 7. Adaptor, elbow, 1/4" NPT x 3/16" hose .....02513
- 8. Screw, 8mm x 80 socket head.....100013
- 9. Lower body, outlet valve.....100032
- 10. Screw, 10mm countersunk socket .....100019



**Description** **Stock#**

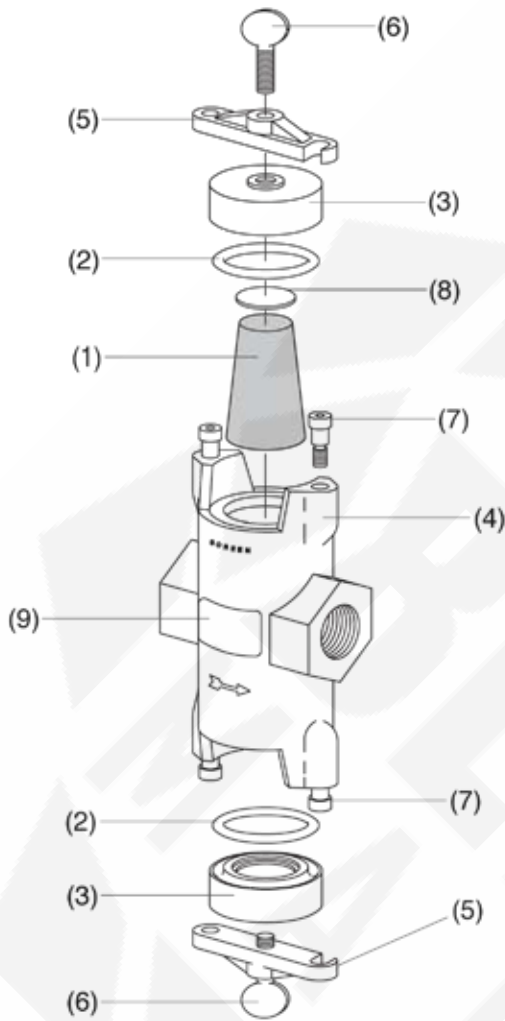
- (-) 1" Piston outlet valve, complete .....01967
- 1. Elbow 1/4" NPT adaptor .....02513
- 2. Plug, 1/4" pipe.....01950
- 3. Bonnet.....01970
- 4. Piston & rod assembly .....01976
- 5. Plug & spindle guide .....01971
- 6. Valve plug.....01972
- 7. Washer, valve plug .....01969
- 8. Retainer, valve plug washer.....01986
- 9. Valve body .....01968
- 10. Spring, 7/16" x 1-5/8" .....01974
- 11. Nylon washer.....01979
- 12. Cap screw 3/8-NC x 3/4" .....03251
- (-) Service kit, includes  
01972, 01986, 01974, 01979, 03251,  
and 2 ea 01969 .....01928



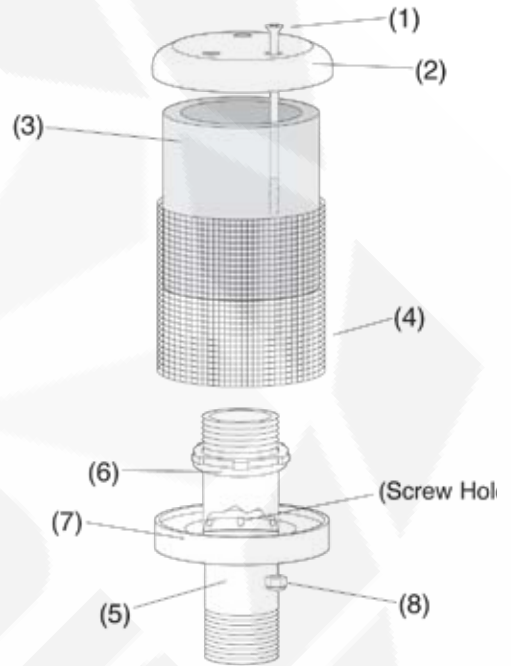
Clemco  
Remote Systems

# Clemco Air Blast Equipment & Parts

## Abrasives Trap / Exhaust Muffler



Description	Stock#
(-) Exhaust Muffler .....	0506
1. Screw, 8-32 x 4" .....	0506
2. Cap, coated .....	0506
3. Body, muffler .....	0506
4. Screen .....	0506
5. Guide w/lock nut .....	2234
6. O-ring, 1-1/4" ID .....	0506
7. Seat .....	0506
8. Lock-nut, 8-32 ss .....	0581



Description	Stock#
(-) Abrasive trap .....	02011
1. Screen .....	02012
2. O-ring .....	02013
3. Cap .....	02014
4. Body .....	02015
5. Lock bar .....	02016
6. Screw, 3/8-NC x 1" thumb .....	03289
7. Shoulder screw, 3/8" x 3/8" .....	03291
8. Gasket, screen, 1/8" thick .....	02434
9. Label, "clean twice daily" .....	02129
(-) Service kit, includes 02434, 02129, 2 ea 02013, and 3 ea 02012 .....	01925

Clemco Remote Systems



Remote Control Handles

Description	Stock#
-------------	--------

(-) **RLX pneumatic control handle**  
Without ACS switch.....10565

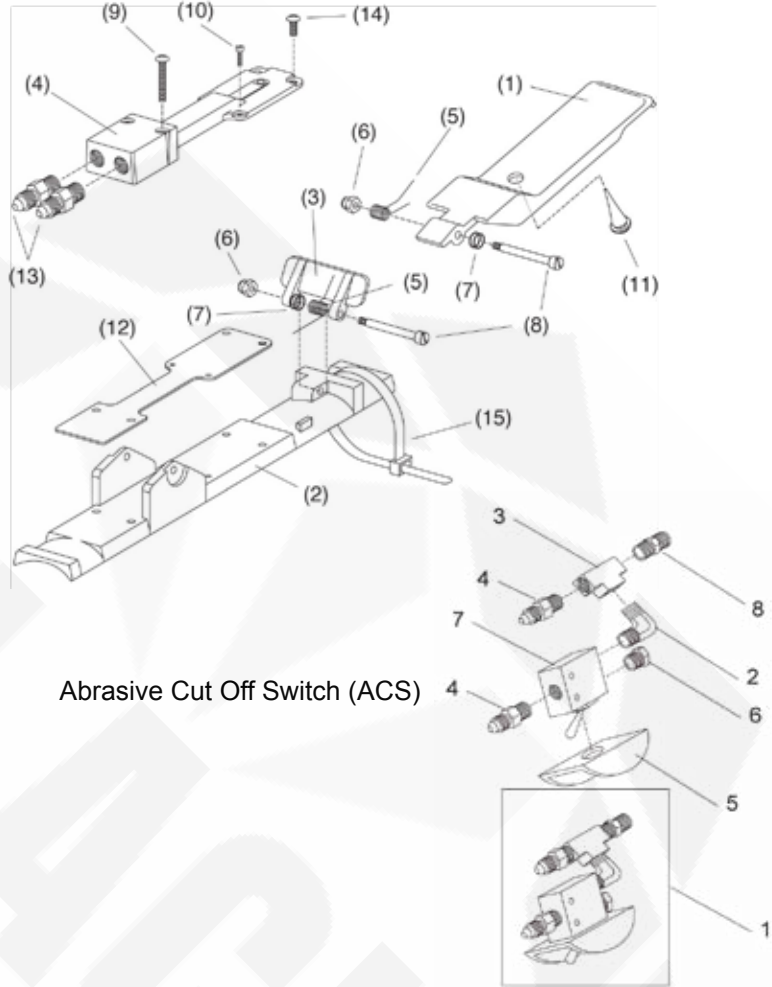
- 1. Handle .....10573
- 2. Body .....10568
- 3. Lever lock .....10564
- 4. Pneumatic adaptor.....10562
- 5. Spring, lever .....05823
- 6. Nut, 8-32 lock s/s .....05815
- 7. Spacer washer s/s .....05434
- 8. Screw, 3/16" x 1-1/4" shoulder .....05817
- 9. Screw, 8-32 x 1" round hd .....05819
- 10. Screw, 4-40 x 3/8" fillister hd .....05818
- 11. Button bumper (25-pk).....07812
- 12. Gasket, pneumatic adaptor .....10563
- 13. Adaptor 1/8" NPS, 2 reqd.....01940
- 14. Screw 8-32 x 3/8" s/s, round hd.....05814
- 15. Tie, nylon.....02195

(-) **Service kit includes:** 10564, 10563;  
2 ea 05823, 05815, 05817, 05819,  
05818, 05814; 3 ea 05821; and  
4 ea 05434.....22859

**RLX pneumatic control handle**  
with ACS

- 1. Switch assembly, ACS pneumatic.....07654
- 2. Elbow, 1/8" NPT male.....03085
- 3. Tee, 1/8" NPT brass.....02171
- 4. Adaptor, 1/8" NPT .....01940
- 5. Guard, ACS pneumatic switch .....07655
- 6. Breather muffler, 1/8" NPT .....07657
- 7. Switch only, ACS .....07658
- 8. Connector, 1/8" NPT brass .....01962

Pneumatic Control Handle

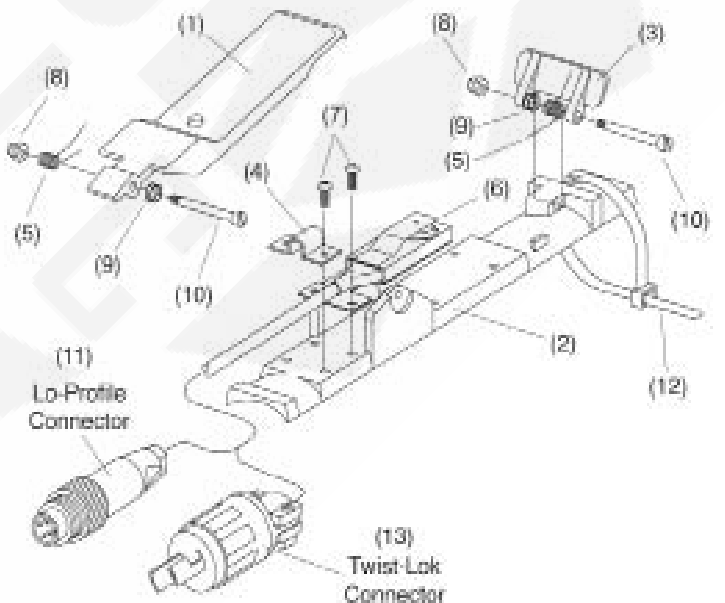


Abrasive Cut Off Switch (ACS)

- 1. Handle .....10573
- 2. Body .....10568
- 3. Lever lock.....10564
- 4. Clamp, switch cord.....05810
- 5. Spring, lever, 2 reqd. ....05823
- 6. Switch, electric w/cord .....24842
- 7. Screw, 8-32 x 3/8" s/s,  
4 reqd. ....05814
- 8. Nut, 8-32 lock,  
s/s, 2 reqd.....05815
- 9. Spacer washer  
s/s, 4 reqd. ....05434
- 10. Screw, 3/16" x 1-1/4"  
shoulder, 2 reqd.....05817
- 11. Connector, lo-profile,  
(for 10840 only) .....10828
- 12. Tie, nylon .....02195
- 13. Connector, twist-lock,  
(for 05801 only) .....02899

(-) ACS electric on/off switch  
assembly (lo-profile)  
with 50 ft. cord .....10847  
(-) ACS electric on/off switch 07674

Electric Control Handle



# Clemco Air Blast Equipment & Parts

## Classic Series Blast Pots - Electric Remote Controls

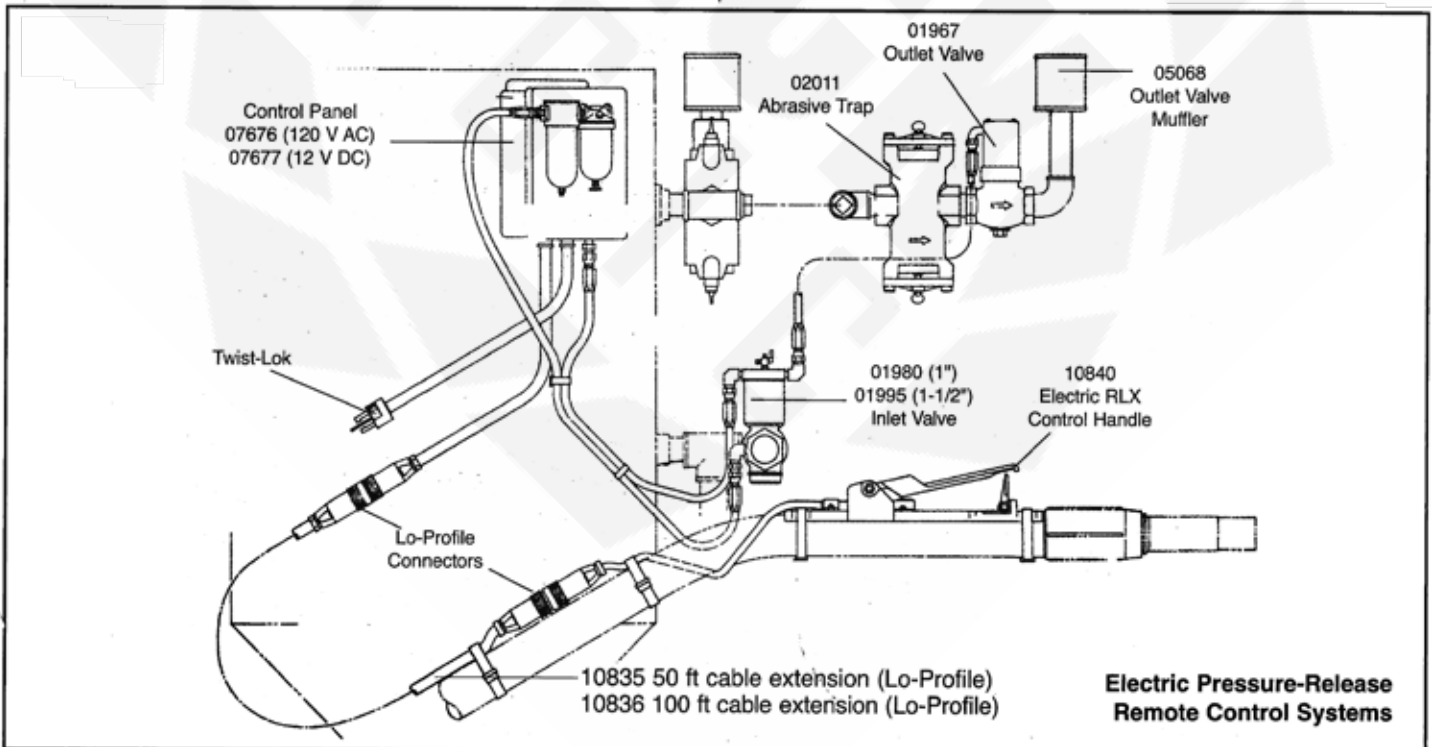
The following remote control systems are pressure-release style; they provide operator start/stop control at the nozzle and allow the blast machine to depressurize, for refilling, each time the control handle is released. Anti-freeze injector is standard on electric remote control systems. Suggested for hose lengths 100 ft or greater.

### Electric Remote Control Systems:

Description	Stock No.
EAC-100	
1" 120V AC .....	03384
Includes:	
1" inlet valve	
1" piston outlet valve	
Electric RLX control handle	
50 ft. electric control cable	
Control panel plus required hoses and fittings	
Abrasive trap	
EDC-100	
1" 12V DC.....	03380
Includes items listed above.	

NOTE: The power input cable to the control box is 5 ft. long. If the blast machine is farther from a power source, use a grounded 14/3 UL-approved extension cord with 120-volt power source. For pressure-hold systems, see Quantum pressure-hold Remote Control Systems.

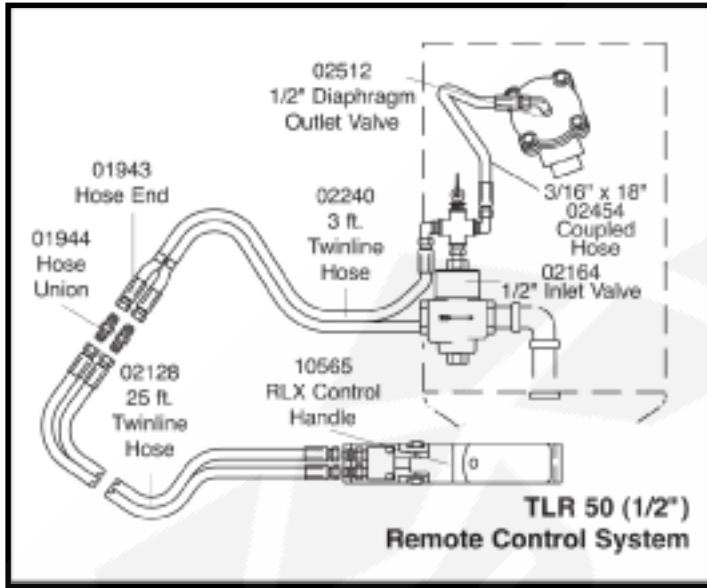
Description	Stock No.
EAC-300 (120V AC)	
1-1/4" / 1-1/2" .....	03385
Includes:	
1-1/4" / 1-1/2" inlet valve	
1" piston outlet valve	
Electric RLX control handle	
50 ft. electric control cable	
Control panel plus required hoses and fittings	
Abrasive trap	
EAC-300C	
System as above plus	
AQV Quantum valve with ACS	.....21182
EDC-300 (12V DC)	
1-1/4" / 1-1/2".....	03381
Includes items listed with EAC-300	
EDC-300C	
System as above plus	
AQV Quantum valve with ACS	.....21184
<b>Conversion Kits (Pneumatic to Electric):</b>	
For TLR to 120V .....	02201
For TLR to 12V .....	02202



**Electric Pressure-Release Remote Control Systems**

Clemco Remote Systems

Classic Series Blast Pots - Pneumatic Remote Controls



**Pressure Release Style**

The following remote control systems are pressure-release style; they provide operator start/stop control at the nozzle, and allow the blast machine to depressurize, for refilling, each time the control handle is released.

**TLR-50 - 1/2" Remote Control System**

Includes: 1/2" inlet valve, 1/2" diaphragm outlet valve, RLX control handle, 25 ft coupled twinline hose, and all required hoses. Stock No. 02518

**TLR-100/300 Remote Control Systems**

**Standard Remote Control Systems (without ACS)**

Description	Stock No.
TLR-100, 1" w/ piston outlet valve	01935
TLR-300, 1-1/4" w/ piston outlet valve	01936
TLR-100D, 1" w/ diaphragm outlet valve	03449
TLR-300D, 1-1/4" w/ diaphragm outlet valve	03448

**TLR-100 - 1" Remote Control System**

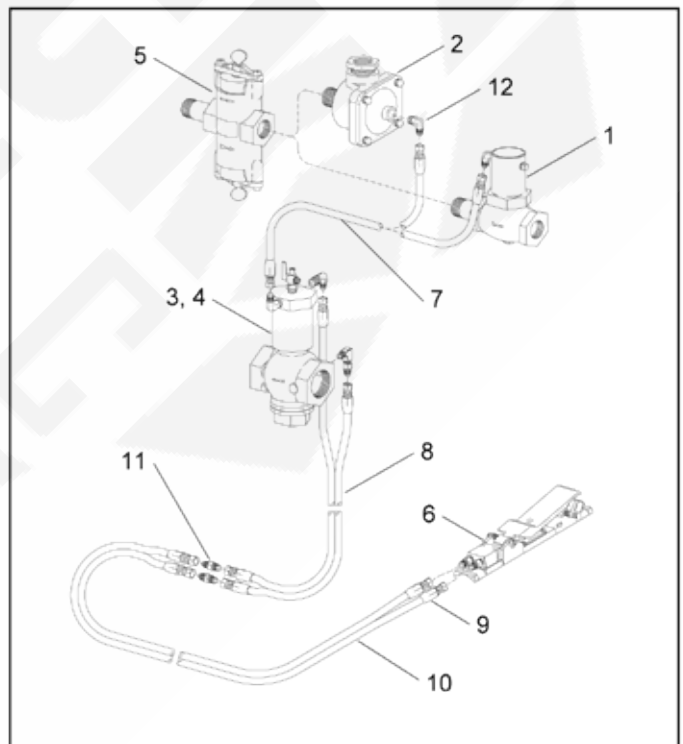
Includes: 1" inlet valve, 1" piston outlet valve, RLX control handle, 50 ft coupled twinline hose, abrasive trap and all required hoses.

**TLR-300 - 1-1/4" / 1-1/2" Remote Control System**

Includes: 1-1/4" / 1-1/2" inlet valve, 1" piston outlet valve, RLX control handle, 50 ft coupled twinline hose, abrasive trap and all required hoses.

**System Replacement Parts,**

Item	Description	Stock No.
1.	Outlet valve, 1" piston	01967
2.	Outlet valve, 1" diaphragm	03371
3.	Inlet valve 1"	01980
4.	Inlet valve 1-1/2"	01995
5.	Abrasive trap	02011
6.	RLX control handle	10565
7.	Hose, 3/16" x 18" coupled	02454
8.	Hose, 5' twinline coupled	01952
9.	Hose end, reusable	01943
10.	Hose, 50' twinline coupled	01951
11.	Union, twinline hose	01944
12.	Elbow, 1/4" NPT adaptor	02513



## Classic Series Blast Pots - Pneumatic Remote Controls

### Pressure Release Style with Abrasive Cut-off Switch (ACS)

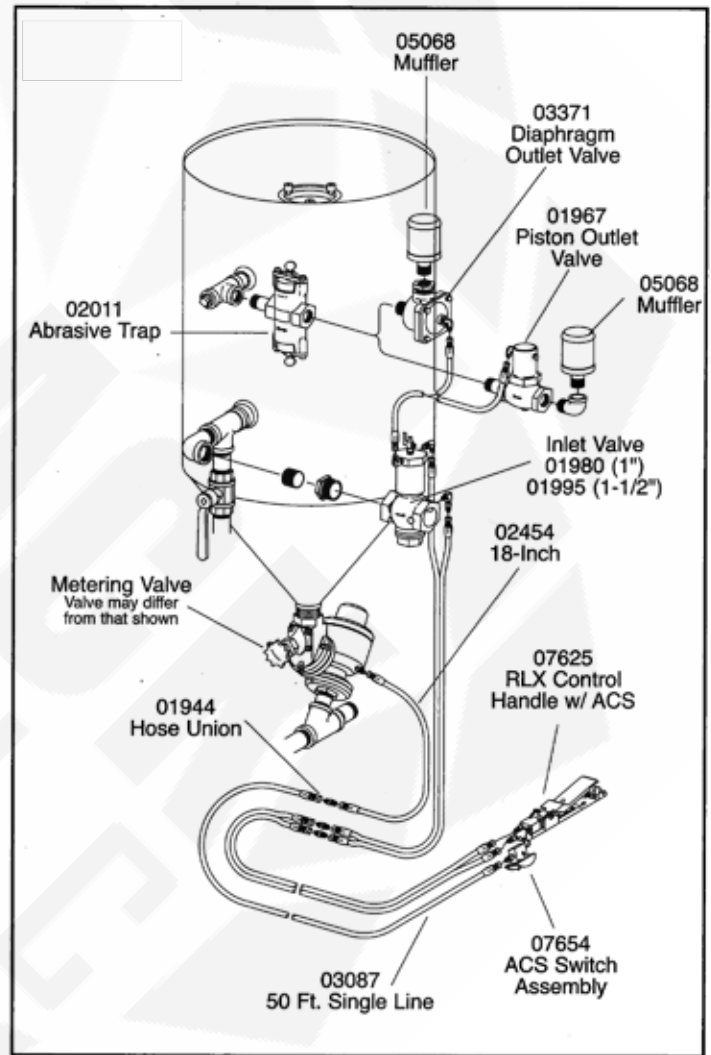
The following remote control systems are pressure-release style; they provide operator start/stop control at the nozzle, and allow the blast machine to depressurize, for refilling, each time the control handle is released.

The ACS switch allows the operator to cut off media flow to use the nozzle as a blow off tool.

### Pneumatic Remote Control Systems with Abrasive Cut Off

Description	Stock No.
TLR-100C	21152
Includes:	
TLR 1" inlet valve	
1" piston outlet valve	
Abrasive trap	
Pneumatic RLX control handle	
50 ft. twinline and ACS supply hose	
AQV Quantum valve plus required hoses and fittings	
TLR-100DC	21154
Includes items listed above except:	
1" diaphragm outlet valve instead of piston outlet valve	

Description	Stock No.
TLR-300C	21153
Includes:	
TLR 1-1/4" / 1-1/2" inlet valve	
1" piston outlet valve	
Abrasive trap	
Pneumatic RLX control handle	
50 ft. twinline and ACS supply hose	
AQV Quantum valve plus required hoses and fittings	
TLR-300DC	21155
Includes items listed above except:	
1" diaphragm outlet valve instead of piston outlet valve	



## Quantum Electric Pressure Hold Remote Control System

Quantum electric pressure-hold remote control systems provide operator start/stop control at the nozzle without depressurizing the blast machine.

Pressure-hold remotes are mandatory on all multiple-outlet blast machines, as they allow one or more operators to stop blasting without interrupting the blast operation of any other operator who may be blasting from the same machine.

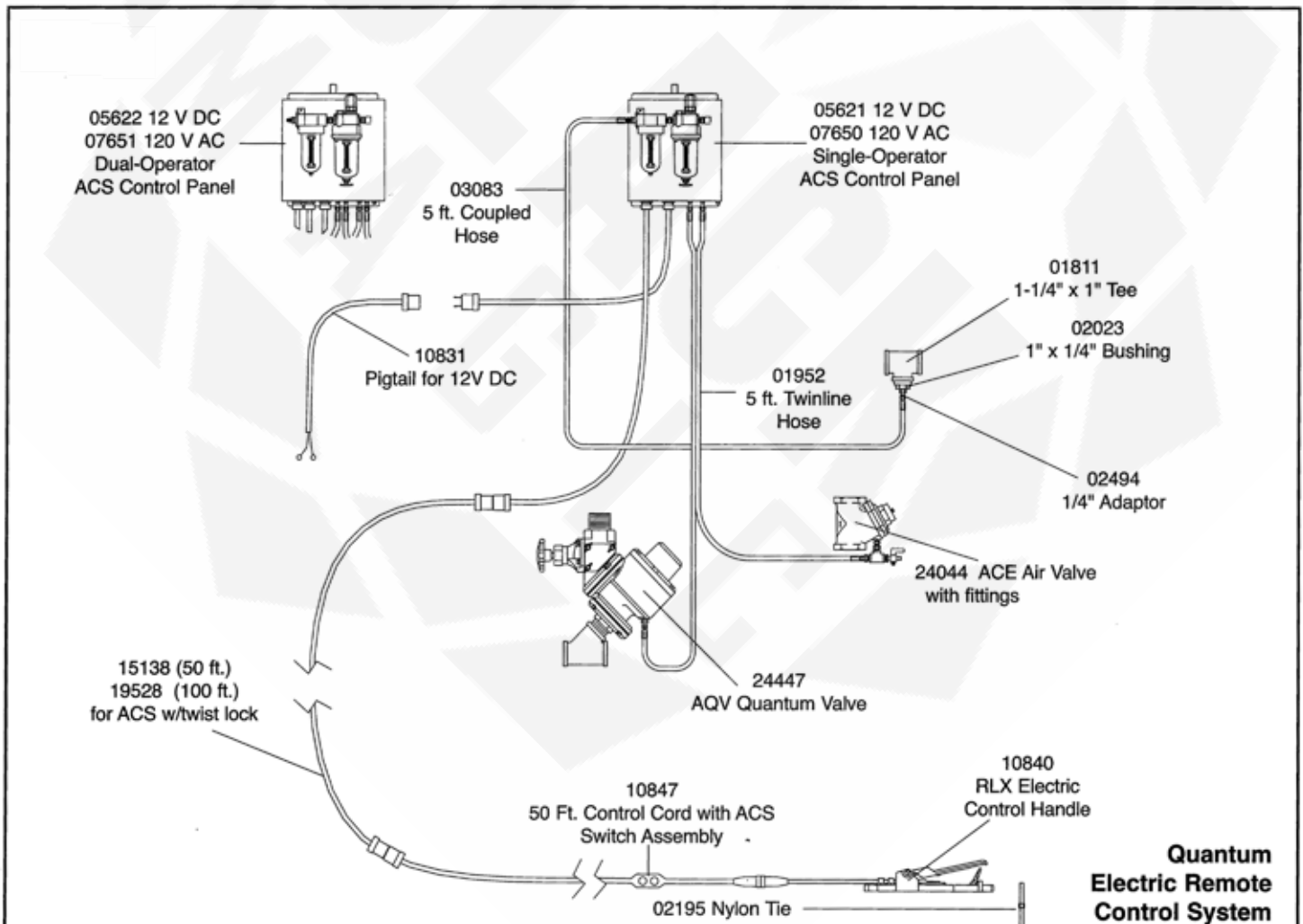
Electric remote controls are used when the nozzle is farther than 100 feet from the blast machine.

An Anti-freeze injector is standard feature on Quantum Electric Remote Control Systems.

### Electric Remote Controls:

System includes: AQV Quantum abrasive metering valve, 1-1/4" air valve, abrasive cut-off switch with ACS, electric RLX handle, 50 ft. electric control cable, control panel and required hoses and fittings. NOTE: The power input cable to the control box is 5 ft. long. If the blast machine is farther from a power source, use a grounded 14/3 UL-approved extension cord with 120 volt power source.

Description	Stock No.
AQV-EPH one-operator 120v AC .....	25830
AQV-EPH one-operator 12v DC .....	25831
AQV-EPH two-operator 120v AC .....	25832
AQV-EPH two-operator 12v DC .....	25833



Clemco  
Remote Systems

Quantum  
Electric Remote  
Control System

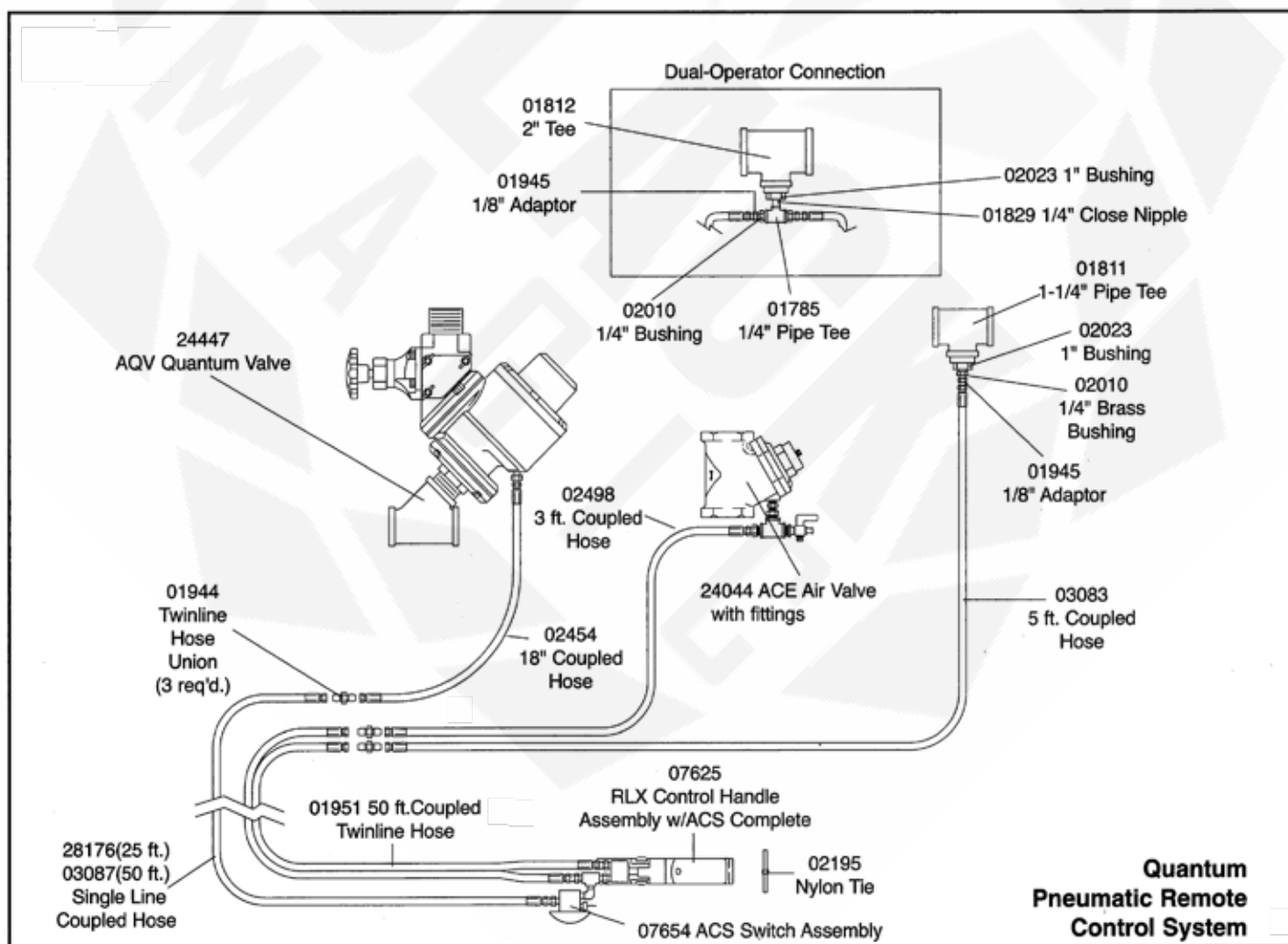
Quantum Pneumatic Pressure Hold Remote Control System

Quantum Pneumatic pressure-hold remote control systems provide operator start/stop control at the nozzle without depressurizing the blast machine. Pressure-hold remotes are mandatory on all multiple outlet blast machines as they allow one or more operators to stop blasting without interrupting the blast operation of any other operator who may be blasting from the same machine.

**Pneumatic Pressure-Hold Remote Controls:**

System includes: AQV Quantum abrasive metering valve, 1-1/4" air valve, abrasive cut-off switch, pneumatic RLX control handle, 50 ft. twinline hose, and all required hoses and fittings.

Description	Stock No.
AQV-PPH one operator	....25834
DQV-PPH two operators	....25835



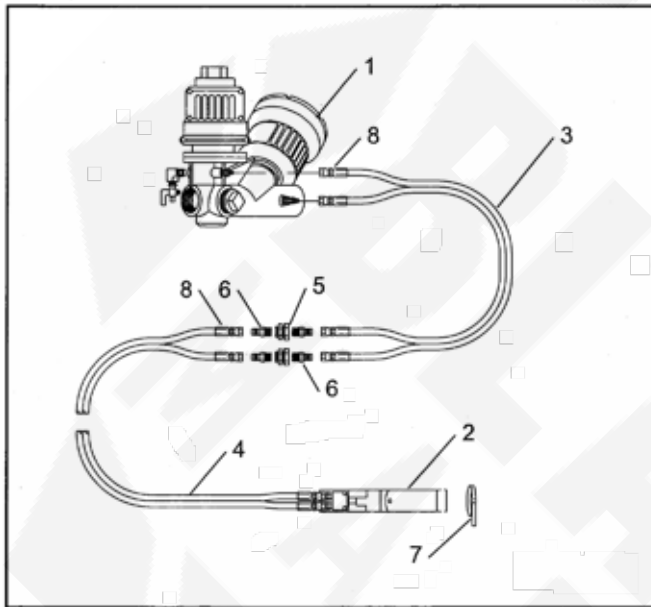
**Quantum  
Pneumatic Remote  
Control System**

Clemco  
Remote Systems

Contractor Series Blast Pots - Remote Controls

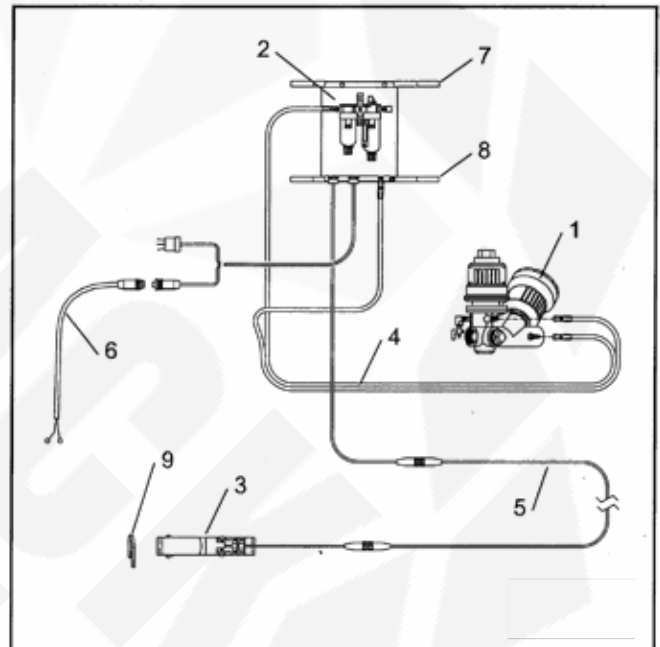
Pneumatic Control System

Item	Description	Stock No.
1.	Millennium inlet/outlet valve	21336
2.	RLX Control handle	10565
3.	Hose, 4 ft. twinline coupled w/item 8	21619
4.	Hose, 50 ft. twinline coupled w/item 8	01951
5.	Fitting, 1/4" NPT bulkhead	05605
6.	Adaptor, 1/4" NPT	02494
7.	Tie, nylon	02195
8.	Hose end, reusable	01943



Electric Control System

Item	Description	Stock No.
1.	Millennium valve	21336
2.	Control panel, does not include items 7 & 8	
	12 volt	07677
	120 volt	07676
3.	RLX Electric control handle	10840
4.	Hose, 4-ft. twinline cpld.	21619
5.	Cord, control w/ lo-profile connectors	
	50-ft. control	10835
	100 ft. control	10836
6.	Pigtail, 12 volt systems only	10831
7.	Bracket, panel top	21614
8.	Bracket, panel bottom	21676
9.	Tie, nylon	02195



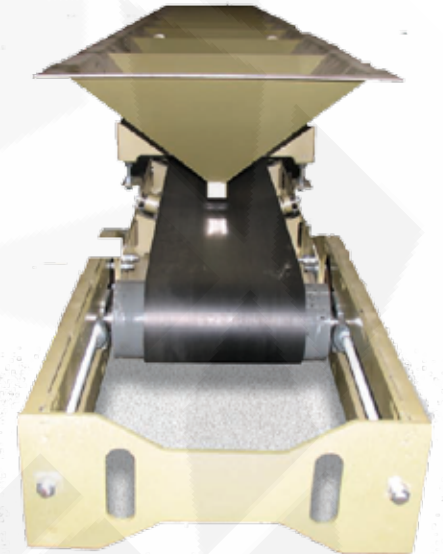
# Clemco Air Blast Equipment & Parts

## Blast Rooms - Custom Made or Pre-Assembled



### RECOVERY SYSTEM COMPARISON CHART

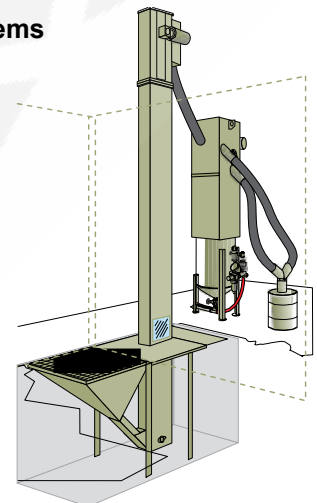
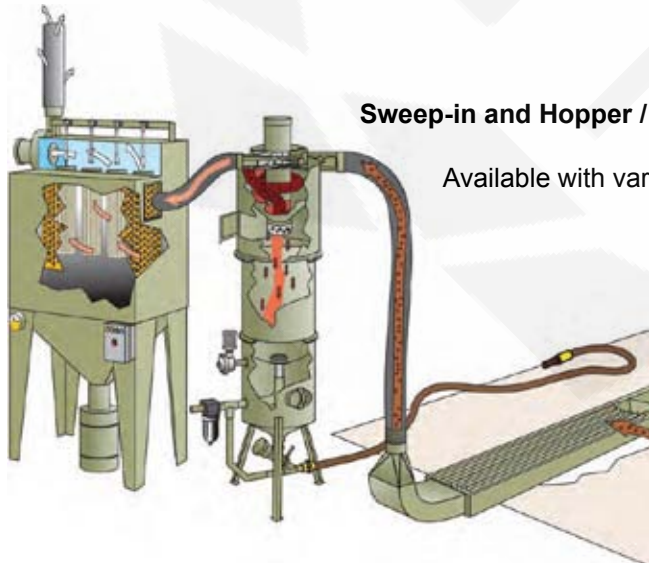
FEATURES	Pneumatic M-Section	Screw Floor	Flo-Flo	Flat-Trak
quiet operation	YES	YES		YES
easy maintenance	YES			YES
handles all media	lightweight best	YES	all except shot	YES
lower initial cost	YES			YES
lower operating cost			YES	
low maintenance cost	YES			YES
immediate availability				YES
full area recovery	optional	optional	optional	YES
partial-area recovery	optional	optional	optional	
lowest profile				YES



The Belt Conveyor Floor offers low cost and maintenance. Suitable for steel and course abrasives.

### Sweep-in and Hopper / Bucket Elevator Recovery Systems

Available with various auger and hopper options.



Contact your Sales Representative or Customer Service for more information.

Clemco  
Blast Rooms



M-Section® Sweep-in Recovery

NOTE: If a customer-furnished dust collector is used. An exhaust damper, Stock No. 22340 must be placed before the dust collector inlet.



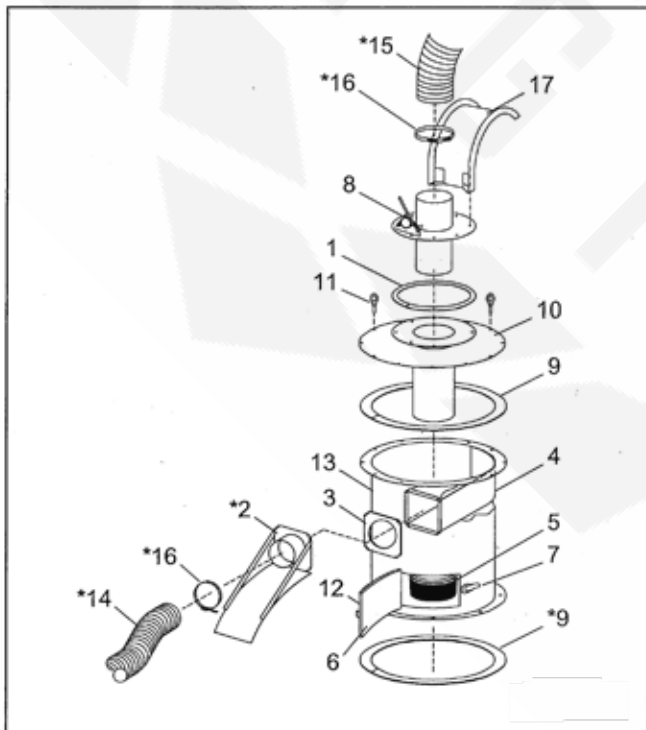
Clemco  
Sweep In Recovery

## M-Section® Sweep-in Recovery

### Reclaimer Assembly

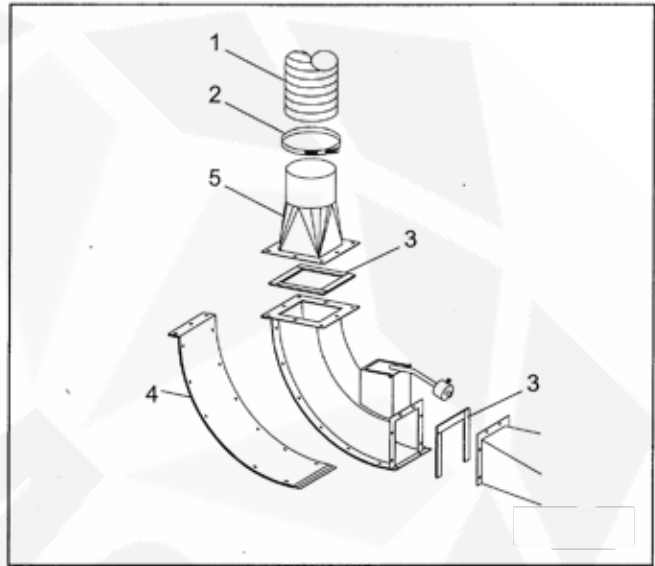
M-Section® systems come with options shown with an asterisk (\*). These items are not supplied with standard replacement reclaimers. If asterisk (\*) items are needed with a replacement reclaimer, order separately, request that item 2 be installed.

Item	Description	Stock No.
(-)	Reclaimer, pull-thru, for 24" blast mach. . .	24206
1.	Gasket, 5/16" x 1" adhesive-backed, specify feet required .....	00187
2.	Inlet pipe, w/hose support, 900 cfm, 6" ....	16887
3.	Gasket, inlet 900 cfm .....	11759
4.	Wear plate, 900 cfm, use w/bolt-on top ....	25071
5.	Screen assembly 8 mesh .....	21265
6.	Gasket, door, 900 cfm .....	11745
7.	Spring latch assembly .....	12263
8.	Vortex cylinder assembly, 900 pull-thru ...	23046
9.	Gasket, 2" adhesive-backed, specify feet required .....	13089
10.	Top, 900 reclaimer .....	23040
11.	Eyebolt, 1", 3/8-NC x 1-1/4" .....	00430
12.	Door, with latch .....	14271
13.	Body section, with door and wear plate, without top ....	27465
	with door, rubber liners, and top .....	27466
14.	Hose, 6" ID x 15-ft. heavy lined .....	12457
15.	Hose, 7" ID unlined flex, specify ft. req'd. .	12448
16.	Clamp, 8" OD .....	11576
17.	Hose support, outlet (optional acc.) .....	20619



### Transition Elbow Assembly

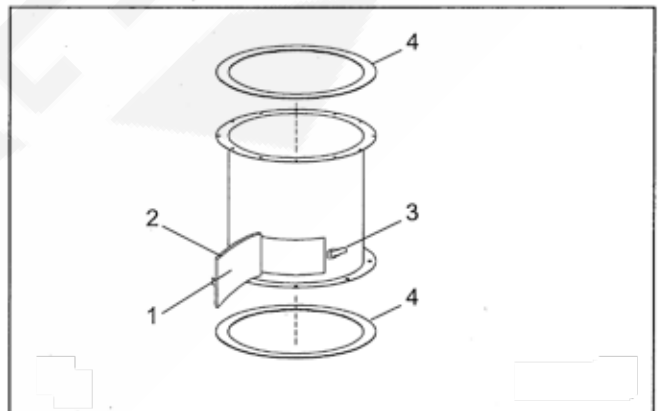
Item	Description	Stock No.
1.	Hose, 6" heavy lined flex (15 ft. only) .....	12457
2.	Clamp, hose, 8-inch .....	11576
3.	Gasket, 5/16" x 1" adhesive-backed specify feet required .....	00187
4.	Wear plate w/ fasteners .....	22377
5.	Adaptor, 6" outlet pipe .....	22375



### Storage Hopper

Item	Description	Stock No.
(-)	Storage hopper, 6-cu.ft., 24-inch dia. ....	21027
1.	Gasket, door, 900 cfm .....	11745
2.	Door, with latch .....	14271
3.	Spring latch assembly .....	12263
4.*	Gasket, 2" adhesive-backed, specify feet required .....	13089

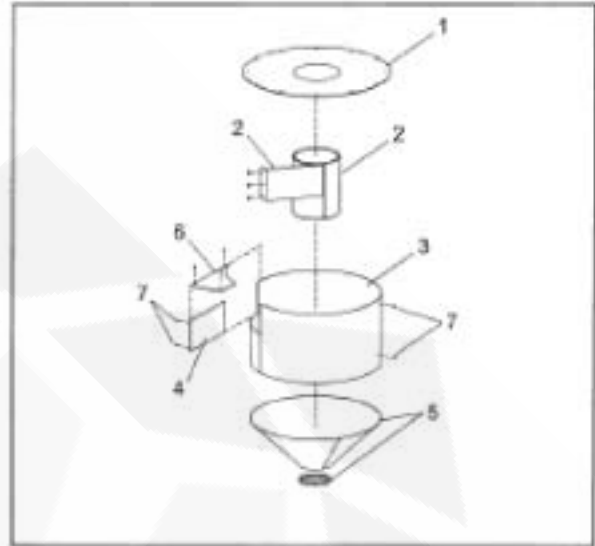
**Note:** Item 4 is not included with replacement storage hoppers: Order separately if required.



M-Section® Sweep-in Recovery

Rubber Liners

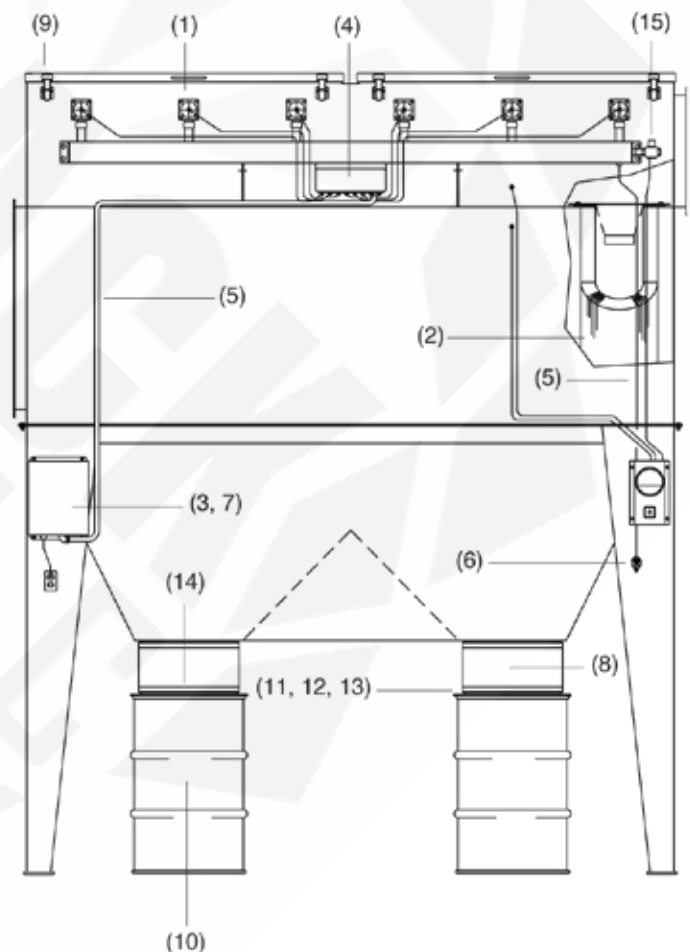
Item	Description	Stock No.
(-)	Rubber liner set, 900 cfm reclaimer	23151
1.	Top liner, 900 cfm	23059
2.	Inlet baffle and tube liner (2-piece)	23416
3.	Body liner, 900 cfm	17008
4.	Inlet side liner, 900 cfm	12830
5.	Inner cone liner, (2-piece)	16070
6.	Inlet top, 900 cfm	22827
7.	Screw, self-drilling, 10-16 x 3/4"	12722



RPH Replacement Parts

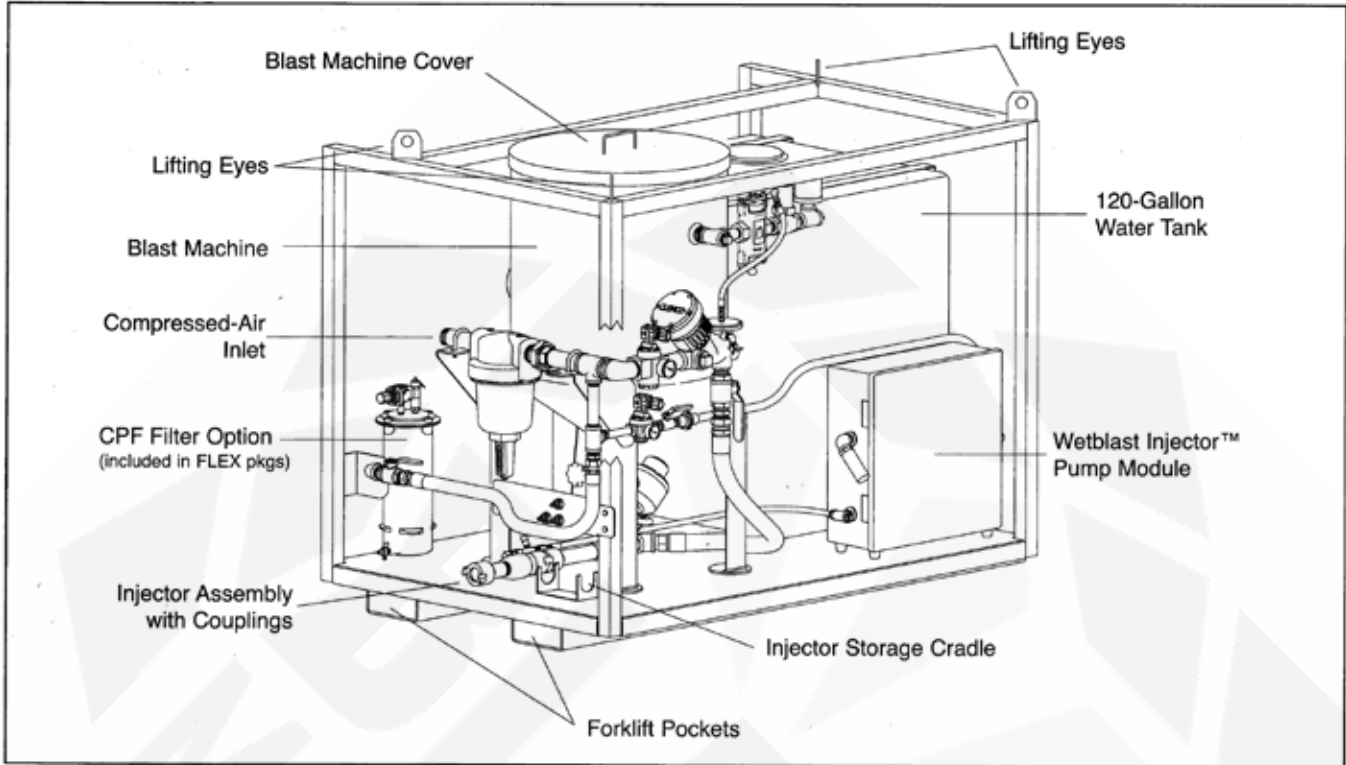
(-)	Service kit for diaphragm pulse valve	21601
1.	Valve, 1-1/2" diaphragm pulse	15818
2.	Cartridge, filter, 13" x 36"	15781
3.	Solenoid, not shown for RPH-2 & RPH-3 only	23869
4.	Solenoid assembly, 5 valve bank for RPH-4 and larger	15743
5.	Tubing, 1/4" OD, specify feet required	15892
6.	Petcock, 1/4" drain	01993
7.	Circuit board, pulse sequence (not shown) for RPH- & RPH-3 only	10261
	• Dwyer board for earlier collectors RPH-4 and larger except RPH-16	23871
	• Ametek NCC board for current collectors RPH-4 and larger except RPH-16	15745
	• Ametek NCC board for RPH-16	15746
8.	Flex hose, specify feet required	
	• 16" dia. RPH-2 thru RPH-16	15667
	• 6" dia. for RPH-20 and larger	12452
	• 9. Latch	10290
10.	Dust drum	
	• 30-gallon for RPH-2 thru RPH-16	15668
	• 55-gallon for RPH-20 and larger	10796
11.	Lid/hose adaptor, dust drum	
	• 30-gallon with 16" dia. hose inlet	15670
	• 55-gallon with 6" dia. hose inlet	06633
	• 55-gallon with 16" dia. hose inlet	22947
12.	Lock ring (55-gallon lid only)	06634
13.	Gasket, 1" x 5/16" adhesive backed use only with 30-gal. lid	00187
14.	Clamp, flex hose	
	• 6-1/2" for 6" hose	00750
	• 8-1/2" for 16" hose (use 2)	11576
15.	Regulator, pressure	
	• 1/2" for RPH-2 to RPH-4	01902
	• 1" for RPH-6 to RPH-16	01904
	• 1-1/2" for RPH-20 and larger	01906

RHP Dust Collector



Clemco  
Sweep In Recovery

## Wetblast Flex™ System



### FLEX Base Units

FLEX units are for blasting at pressures from 50 to 120 psi. Low Pressure (LP) FLEX units have an extended blasting pressure range from 5 to 120 psi. LP units allow frequent start/stop, maintaining lower blast pressure.

*All base units come with two injector bodies (choice of 1-1/4" fine thread or Contractor 50mm thread); one to be located at the metering valve and an alternate that can be installed at the nozzle.*

\*Base unit includes 6 cuft blast machines, pneumatic remote controls with abrasive cut-off, wetblast injector pump assembly, 120-gallon water tank, 1 base unit injector, 1 nozzle injector, blast machine screen and cover, pressure regulator and air filter. Order nozzle and coupled blast hose separately.

#### FLEX Base Units

Description	Stock No.
FLEX 2448 Base Unit	
1-1/4" thread.....	28436
Contractor thread .....	28434

#### LP FLEX Base Units

Description	Stock No.
LP FLEX 2448 Base Unit	
1-1/4" thread .....	28633
Contractor thread.....	28632

### FLEX Packages

Packages include FLEX Base Unit plus 50ft x 1-1/4" ID Supa™ hose fitted with nylon holder and nylon coupling, 7/16"-orifice silicon-carbide-lined rubber jacketed nozzle, Apollo 600 HP DLX NIOSH-approved supplied-air respirator, ClemCool™ air conditioner, CPF-20 breathing-air filter, 50ft respirator hose, APL-600 outer lenses (pk of 25), APL-600 intermediate lenses (pk of 5), 1 pair leather gloves, abrasive trap screens (6), coupling gaskets (pk of 10), nozzle washers (pk of 10), and nylon ties (8).

#### FLEX Packages

Description	Stock No.
FLEX 2448 Package	
1-1/4" thread.....	28437
Contractor thread .....	28435

#### LP FLEX Packages

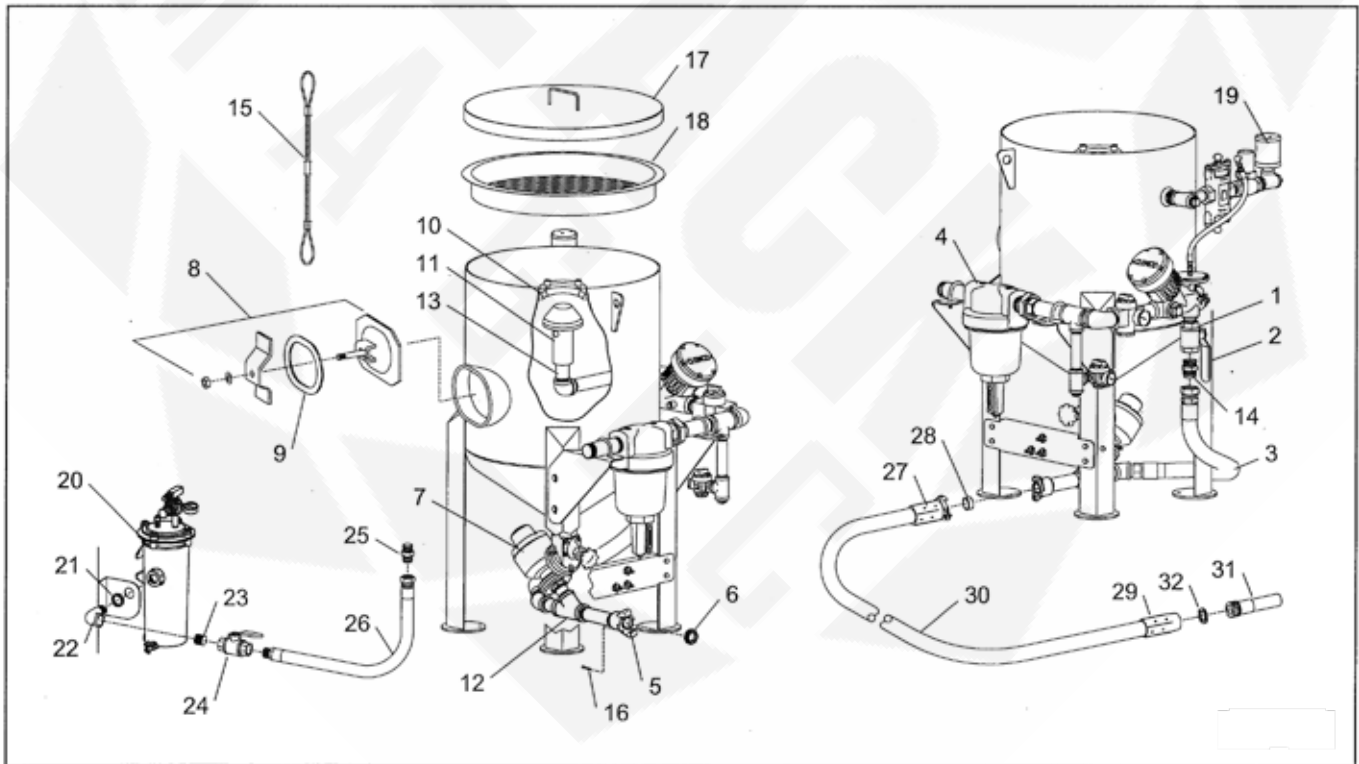
Description	Stock No.
LP FLEX 2448 Package	
1-1/4" thread .....	28635
Contractor thread .....	28634

Wetblast Flex™ System

Item	Description	Stock No.
1.	Ball valve, 1-1/4" with handle	02397
2.	Handle, 1-1/4" ball valve	22532
3.	Pusher line assembly, 1-1/4" x 31"	23675
4.	Air filter, 1-1/2-NPT manual drain	01284
5.	Coupling, 1-1/4" CF	00551
6.	Gasket, CQG for 00551 coupling, pk. 10	00850
7.	Metering valve, Auto-Quantum w/fittings...	24447
8.	Inspection door assembly, 6" x 8"	02377
9.	Gasket, inspection door, 6" x 8"	02369
10.	Seal, pop-up valve	02325
11.	Pop-up valve, 4", with external sleeve	03699
12.	Wye, standard 1-1/4"	01818
13.	Internal pop-up guide, 1-1/4" x 9-1/2" toe	01757
14.	Adaptor, 1-1/4-NPT x JIC	22529
15.	Safety cable, 1-1/2" to 3" OD hose	15013
16.	Lock pin, coupling (package of 25)	11203
17.	Cover, 24" diameter	02336
18.	Screen, 24" diameter	03100

19.	Muffler, 1" exhaust	05068
20.*	CPF air filter	03578
refer to CPF filter manual no. 04143 for parts		
21.*	Nut, 1" lock	11917
22.*	Elbow, 1" 90° street	01775
23.*	Nipple, 1" x close	01701
24.*	Ball valve, 1" with handle	02396
25.*	Adaptor, 1-NPT x JIC	11720
26.*	Hose assembly, 1" ID x 32", coupled	22864
27.**	Coupling, nylon, CQPS-2	08413
28.**	Gasket, CQGP-3, pack of 10, for item 28..	08853
29.**	Nozzle holder, with Contractor threads, NHP-2	04127
	1-1/4 nozzle threads, HEP-2	07721
30.**	Hose, Supa blast, 1-1/4" ID x 50 ft.	23106
31.**	Nozzle, with Contractor threads, SXS-7	100867
	1-1/4 threads, SAS-7	28082
32.**	Washer, nozzle, pack of 10 NW-32, for SXS nozzles	91026
	NW-4, for SAS nozzles	00869

\* Supplied with factory-installed CPF air filter option  
 \*\* Supplied with accessory kit



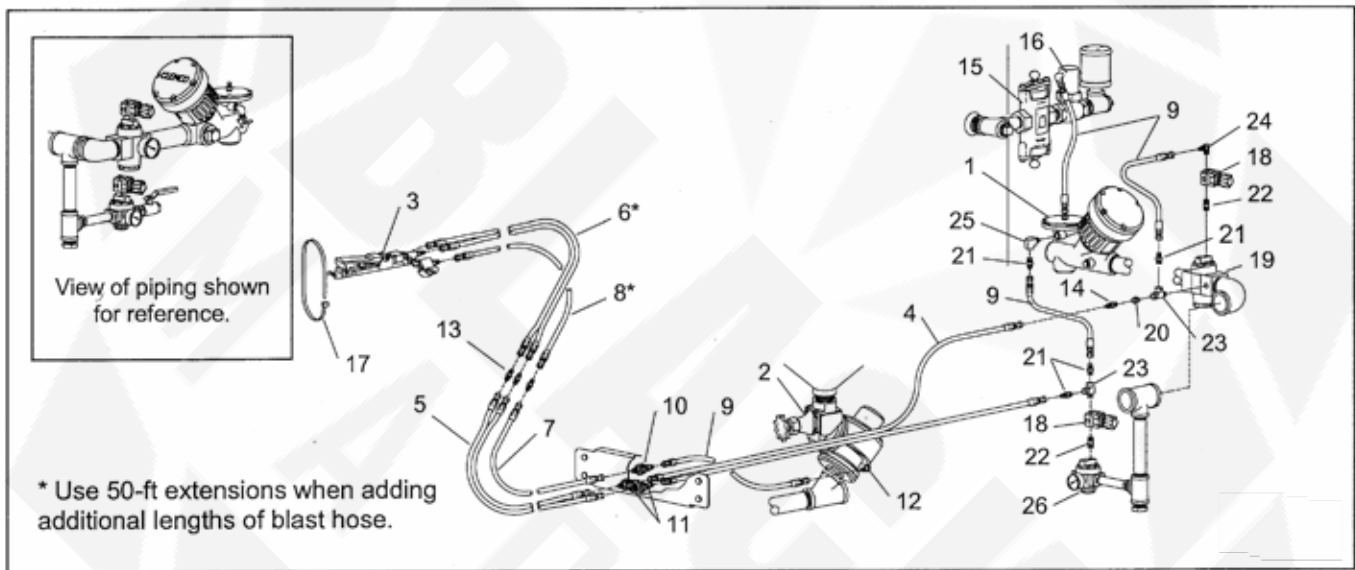
Clemco  
Wetblast System

# Clemco Air Blast Equipment & Parts

## Wetblast Flex™ System

Remote Control System Parts,		
Item	Description	Stock No.
1.	Millennium inlet valve .....	23620
2.	Metering valve, Auto-Quantum w/fittings ....	24447
3.	RLX control handle w/ ACS .....	07625
4.	Hose, 4' twinline coupled .....	21619
5.	Hose, 52' twinline coupled, first hose .....	28569
6.*	Hose, 50' twinline coupled, extension .....	01951
7.	Hose, 52' 3/16" single-line, first hose .....	28570
8.*	Hose, 50' 3/16" single-line, extension .....	03087
9.	Hose, 3/16" x 18" .....	02454
10.	Fitting, 1/4-NPT bulkhead each, 3 used.....	05605
11.	Adaptor, 1/4-NPT each, 6 used.....	02494

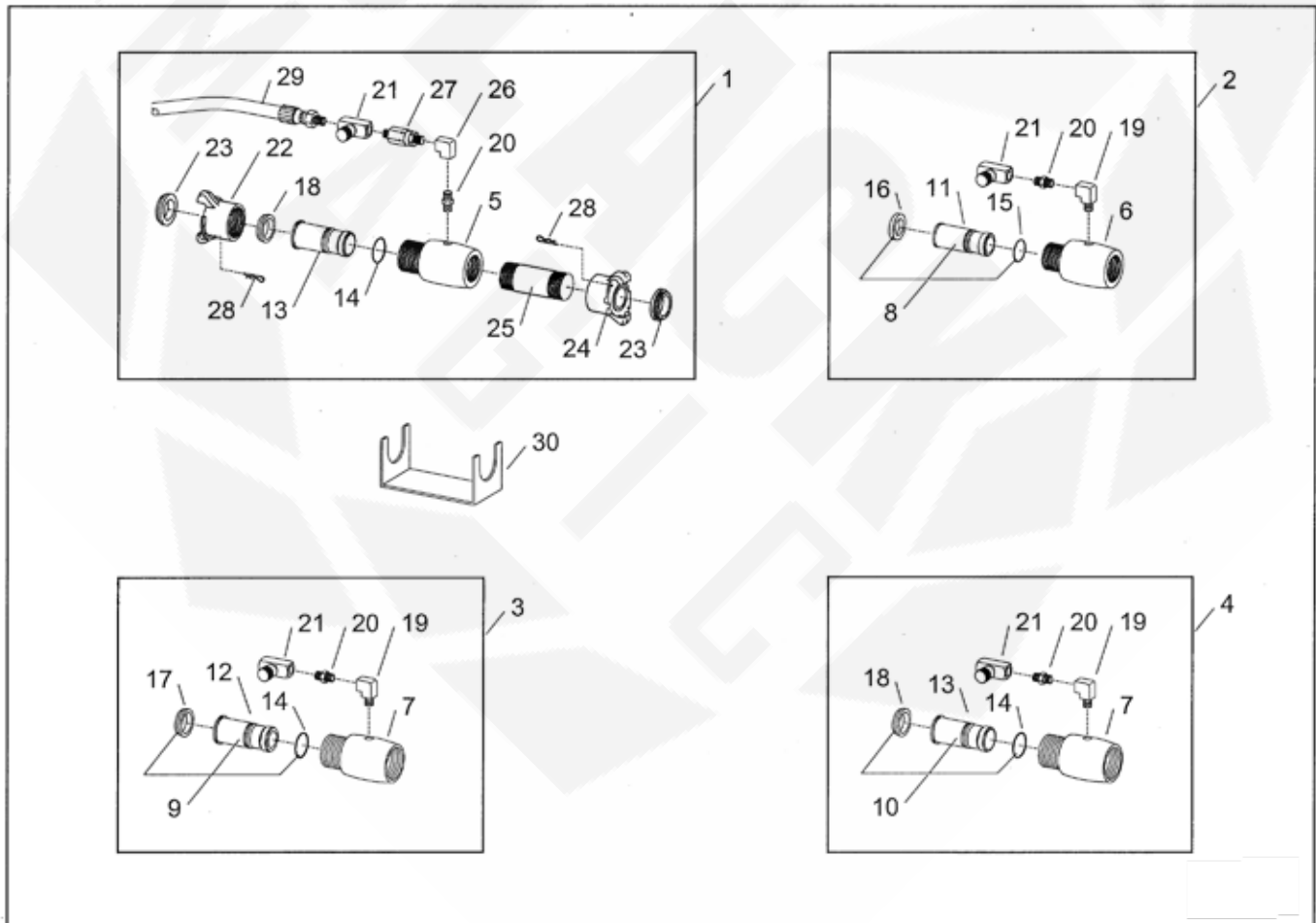
12.	Adaptor, 1/8-NPT elbow .....	02827
13.	Union, 3/16" hose .....	01944
14.	Orifice, .052" .....	20429
15.	Abrasive trap, 1-NPT .....	02011
16.	Outlet valve, TLR 1-NPT piston .....	01967
17.	Tie, nylon .....	02195
18.	Regulator, 1/4" pilot .....	12050
19.	Regulator, 1-1/2" pilot-operated w/gauge ...	12051
20.	Bushing, 1/4 x 1/8-NPT .....	02010
21.	Adaptor, 1/4-NPT .....	02494
22.	Nipple, 1/4-NPT hex .....	02808
23.	Tee, 1/4-NPT M/F/F .....	20847
24.	Adaptor, 1/4-NPT elbow .....	02513
25.	Elbow, 1/4-NPT street .....	02027
26.	Regulator, 1/2" pilot-operated .....	11345



Wetblast Flex™ System

Injector Assemblies

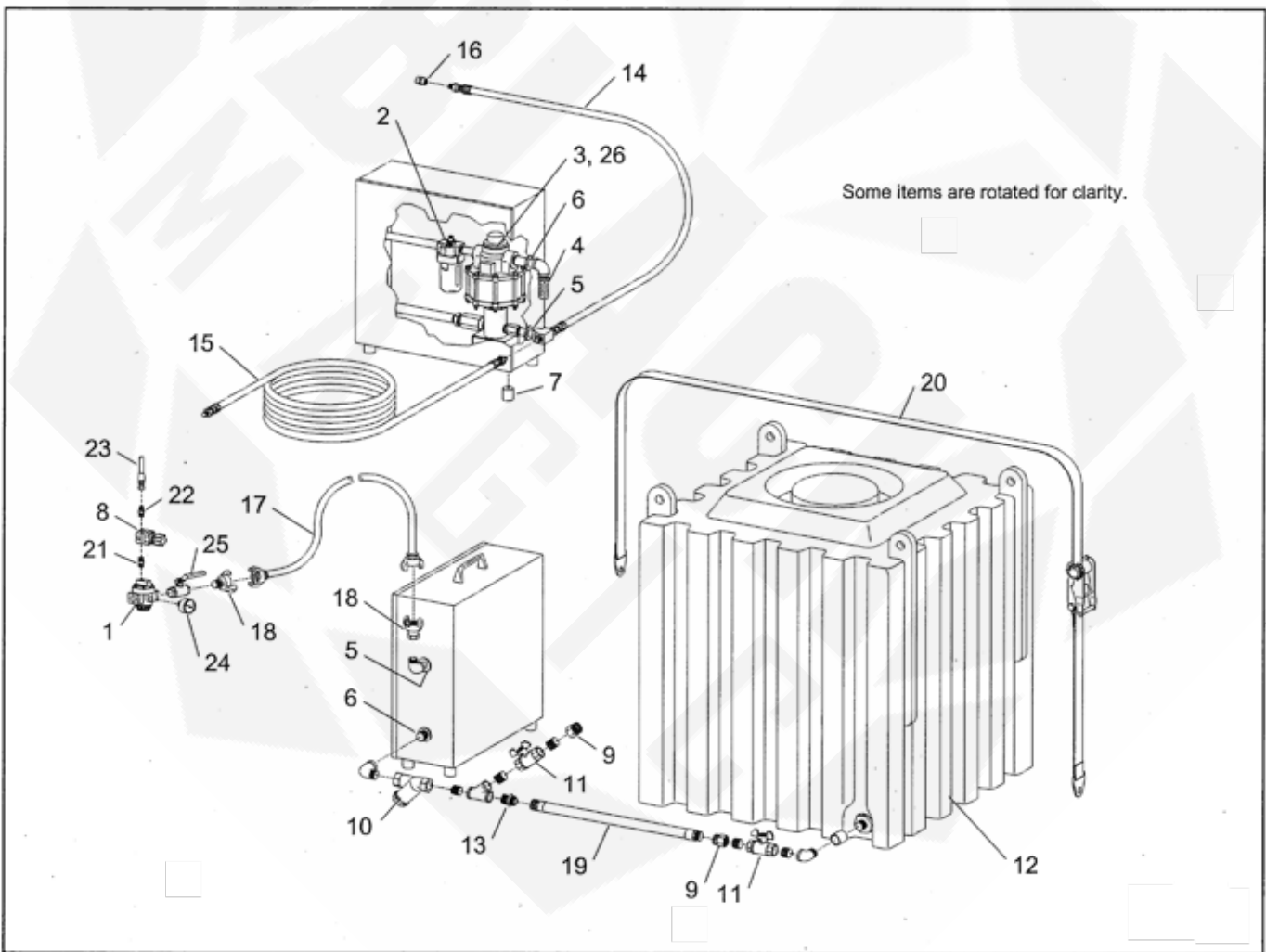
Item	Description	Stock No.
1.	Adaptor-injector assembly w/couplings for use at the blast machine	28580
2.	Nozzle adaptor-injector assembly 1-1/4" nozzle thread, 1" ID injector sleeve	05540
3.	Nozzle adaptor-injector assembly, option 50mm nozzle thread, 1" ID injector sleeve	05541
4.	Nozzle adaptor-injector assembly, option 50mm nozzle thread, 1-1/4" ID injector sleeve	05598
5.	Body, 1-1/2-NPSM entry injector	28573
6.	Body, 1-1/4" threaded injector adaptor	05506
7.	Body, 50mm threaded injector adaptor	05507
8.	Injector assembly, 1" ID for 5540 includes items 11, 15, and 16	05536
9.	Injector assembly, 1" ID for 5541 includes items 12, 14, and 17	05534
10.	Injector assembly, 1-1/4" ID for 5598 includes items 13, 14, and 18	05535
11.	Sleeve, 1" ID for 1-1/4" body	05508
12.	Sleeve, 1" ID for 50mm body	05509
13.	Sleeve, 1-1/4" ID for 50mm body	05510
14.	O-ring, 1-3/8 ID	05516
15.	O-ring, 1-1/4" ID	05523
16.	Washer, NW-4 nozzle, pack of 10	00869
17.	Washer, NW-25 nozzle, pack of 10	91024
18.	Washer, NW-32 nozzle, pack of 10	91026
19.	Elbow, 1/4-NPT 90° street	02027
20.	Nipple, 1/4-NPT hex	02808
21.	Valve, 1/4-NPT flow control	05528
22.	Coupling, CF-2, 1-1/2-NPT	00553
23.	Gasket, CQG, pack of 10	00850
24.	Coupling, CF, 1-1/4-NPT	00551
25.	Nipple, 1-1/4-NPT x 4" galv.	01924
26.	Elbow, 1/4-NPT x 90°	06373
27.	Valve, 1/4-NPT check	28557
28.	Lock pin, coupling (package of 25)	11203
29.	Hose, hydraulic starter, 5-ft coupled	28565
30.	Cradle, injector assembly storage	On request



# Clemco Air Blast Equipment & Parts

## Wetblast Flex™ System

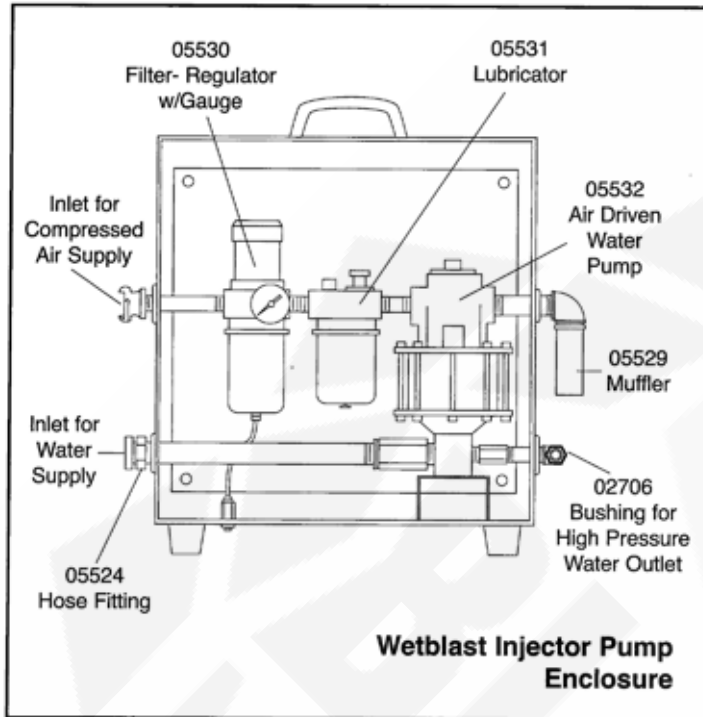
Item	Description	Stock No.
<b>Pump Module and Water Tank</b>		
1.	Pressure regulator, 1/2" pilot-operated	11345
2.	Lubricator, 1/2-NPT	05531
3.	Pump, water injector	05532
4.	Muffler, 3/4-NPT air	05529
5.	Grommet, 7/8" ID rubber	00183
6.	Grommet, 1" ID rubber	00184
7.	Foot, cabinet enclosure, each	05525
8.	Regulator, 1/4" pilot	12050
9.	Adaptor, 3/4-FPT x fem water swivel	05524
10.	Strainer, 3/4-NPT water, 100 mesh	15011
11.	Ball valve, 3/4-NPT with handle	28551
12.	Tank, 120-gallon water	28550
13.	Adaptor nipple, 3/4-NPT x 3/4" water	28554
14.	Hose, hydraulic starter, 5-ft coupled	28565
15.	Hose, hydraulic 52-ft. long, 3/8" ID first hose	28559
	50-ft. long, 3/8" ID extension hose	05527
16.	Connector, 1/4-FNP hydraulic hose	02162
17.	Air hose assembly, 1/2" x 82" coupled	28566
18.	Coupling, 1/2-FPT twist-on	00594
19.	Hose, 3/4" x 19" water	28553
20.	Strap, 2" x 10' tie-down, each	28552
21.	Nipple, 1/4-NPT hex	02808
22.	Adaptor, 1/4-NPT	02494
23.	Hose, 3/16" x 18"	02454
24.	Gauge, 1/4-NPT CBM	11830
25.	Valve, 1/2-NPT ball, with handle	01241
26.	Service kit, water pump, includes air motor kit and hydraulic kit	05484



Clemco  
Wetblast System



Wetblast Injector System



**Wetblast Injector Accessory Package for use with standard blast machines**

Kit includes: wetblast enclosure, water pump, hydraulic hose with fittings, and nozzle adaptor.

NOTE: Order nozzle separately.

**Description**

**Stock No.**

**For One Operator**

- 50 ft. hydraulic hose, and
- one 05540 nozzle adaptor, 1-1/4" straight thread, 1" ID .....05500
- one 05541 nozzle adaptor, contractor thread, 1" ID ..... 07750
- one 05598 nozzle adaptor, contractor thread, 1-1/4" ID .....07752

**For Two Operators**

- Two 50 ft. hydraulic hoses, and
- two 05540 nozzle adaptors 1-1/4" straight thread, 1" ID .....05501
- two 05541 nozzle adaptors, contractor thread, 1" ID .....07751
- two 05598 nozzle adaptors contractor thread, 1-1/4" ID .....07753

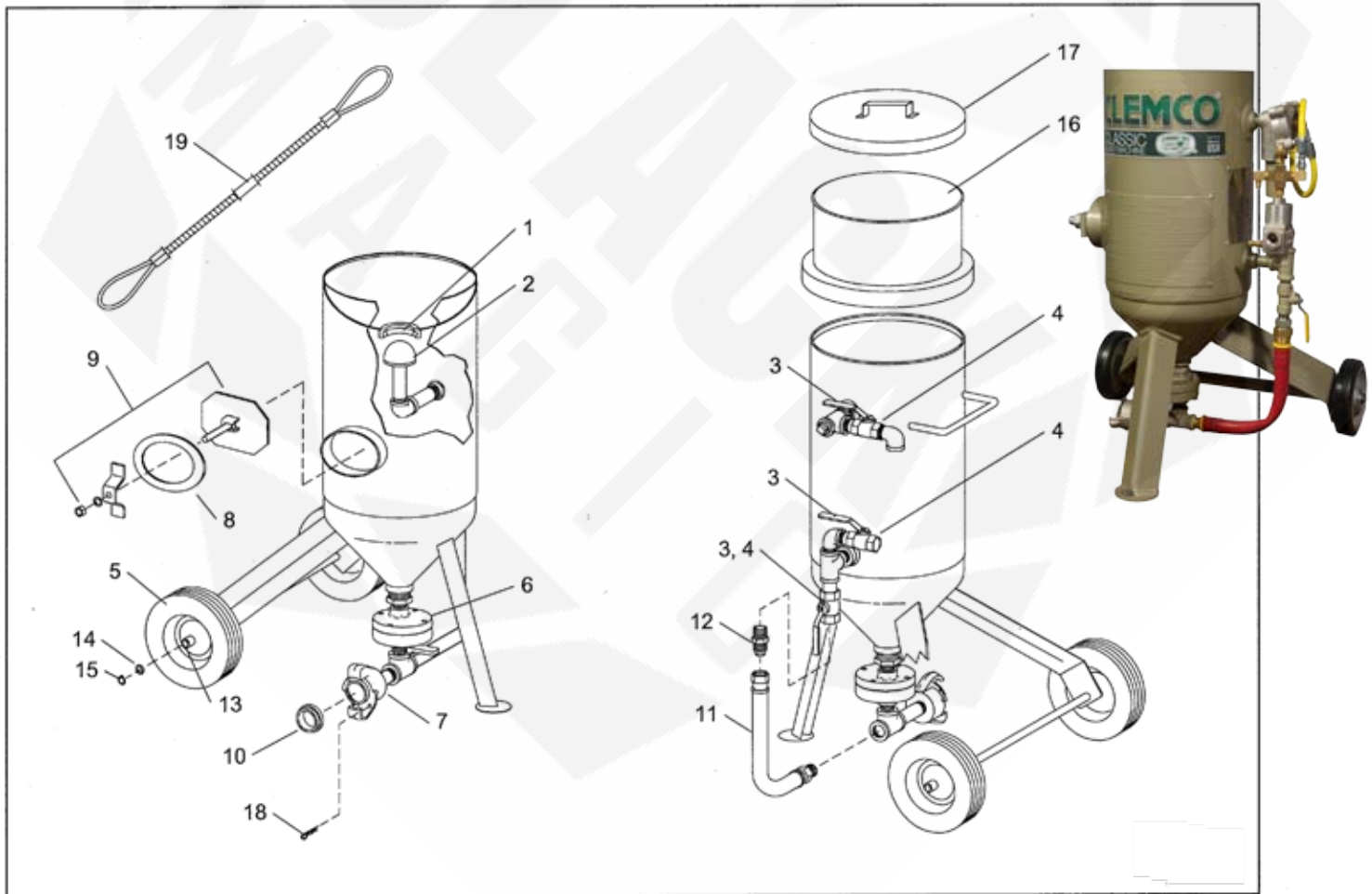
# Clemco Air Blast Equipment & Parts

## 0.5 and 1 cu.ft. Classic Series Blast Pot with 1/2" Piping

Item	Description	Stock No.
(-)	Model 1028, 0.5 cu. ft. capacity blast Machine without remote controls .....21050 with TLR-50 remote controls .....21051	
(-)	Model 1042, 1.0 cu. ft. capacity blast Machine without remote controls .....21052 with TLR-50 remote controls .....21053	
1.	Seal, pop-up, rubber .....01245	
2.	Pop-up valve and shaft .....01242	
3.	Handle, 1/2" ball valve .....01252	
4.	Valve, 1/2" NPT ball w/ handle .....01241	
5.	Wheel, 6" diameter, rubber tire .....02326	
6.	Metering valve, abrasive .....01247	
7.	Coupling, CFA-1/2, 1/2" NPT alum. ....00558	

8.	Gasket, inspection door, 3" x 4" .....01249
9.	Inspection door assembly, 3" x 4" .....01267
10.	Gaskets, CQG, for 00558, pack of 10 .....00850
11.*	Pusher line assembly, flexible 11" nominal for model 1028 .....24621 19" nominal for model 1042 .....24622
12.*	Adaptor, 1/2" NPT x 3/4" JIC .....25084
13.	Axle .....02404
14.	Washer, 3/4" thrust .....03804
15.	Retaining ring .....03805
16.	Screen, 10" dia. ....03362
17.	Cover, 10" dia. ....03107
18.	Lock pin, coupling, package of 25 .....11203
19.	Safety cable, 1/2" to 1-1/4" OD hose .....15012

\* Flexible pusher lines are supplied on factory machines as of October 1, 2011. Hard, formed-pipe pusher lines are no longer available.



OSHA regulations require the use of remote controls on all abrasive blast pots. REF 29 CFR 1910.244 (B)

## Classic Series Blast Pots - 3 to 6 cu.ft.

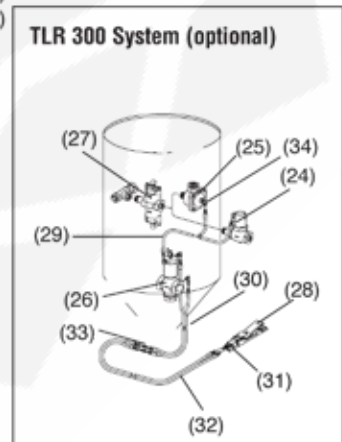
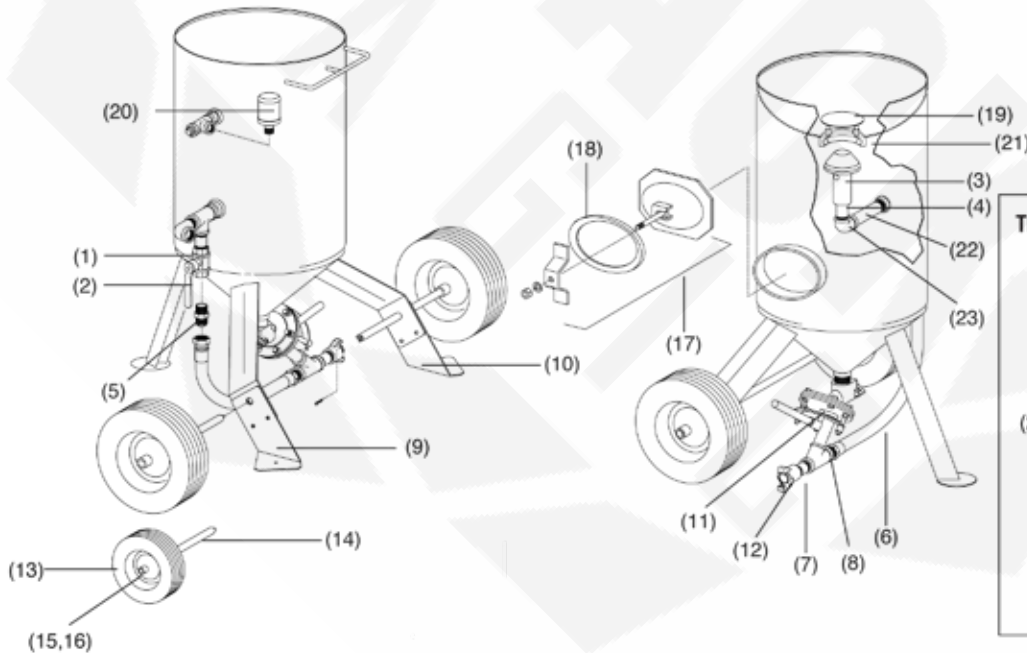
1. Ball valve w/handle, 1-1/4" NPT.....	02397
2. Handle, 1-1/4", ball valve.....	22532
3. Pop-up valve, 4" w/external sleeve.....	03699
4. Internal pop-up guide toe nipple	
3 cuft: 1-1/4" x 6-1/2".....	01754
6 cuft: 1-1/4" x 6".....	01753
5. Adaptor, male NPT x 1-1/4" m-flare.....	22529
6. Replacement flexible pusher line,	
coupled hose only:	
- 1-1/4" ID x 28".....	23674
- Lo-Pot: 1-1/4" ID x 19".....	24168
(-) Flexible pusher line conversion kit.	
- for 1648 & 2452.....	23874
- for 2443 Lo-Pot.....	27504
7. Coupling, 1-1/4" CF.....	00551
8. Wye, 1-1/4" standard.....	01818
9. Leg pad, right.....	03654
10. Leg pad, left.....	03655
11. Metering valve,	
- FSV w/ wye.....	02427
- LPV.....	05680
12. *Gasket, CQG coupling, (pk of 10).....	00850
13. Wheel & tire, 16 x 400.....	20427
14. Axle & 16" wheel set	
- 3 cuft.....	02822
- 6 cuft.....	02350
15. Washer, 1" thrust.....	03825

16. Retaining ring, 1".....	03824
17. Inspection door assembly, 6" x 8".....	02377
18. Gasket, inspection door.....	02369
19. *Umbrella, 4" bolt-on.....	02318
20. Muffler, exhaust.....	05068
21. Seat, pop-up gum rubber, standard.....	02325
*neoprene, hot climates.....	02380
22. Nipple, 3 cuft.....	01722
- Nipple, 6 cuft.....	01726
23. Elbow.....	01769

### TLR 300 System (optional, components listed below)

24. Outlet valve, 1" piston.....	01967
25. Outlet valve, 1" diaphragm.....	03371
26. Inlet valve, 1-1/2".....	01995
27. Abrasive trap.....	02011
28. RLX control handle.....	10565
29. Hose, 3/16" x 18" cpld.....	02454
30. Hose, 5 ft. twinline cpld.....	01952
31. Hose end, reusable.....	01943
32. Hose, 50 ft. twinline cpld.....	01951
33. Union, hose.....	01944
34. Elbow, 1/4" adaptor.....	02513

\*Optional item



Clemco  
Blast Pots

OSHA regulations require the use of remote controls on all abrasive blast pots. REF 29 CFR 1910.244 (B)

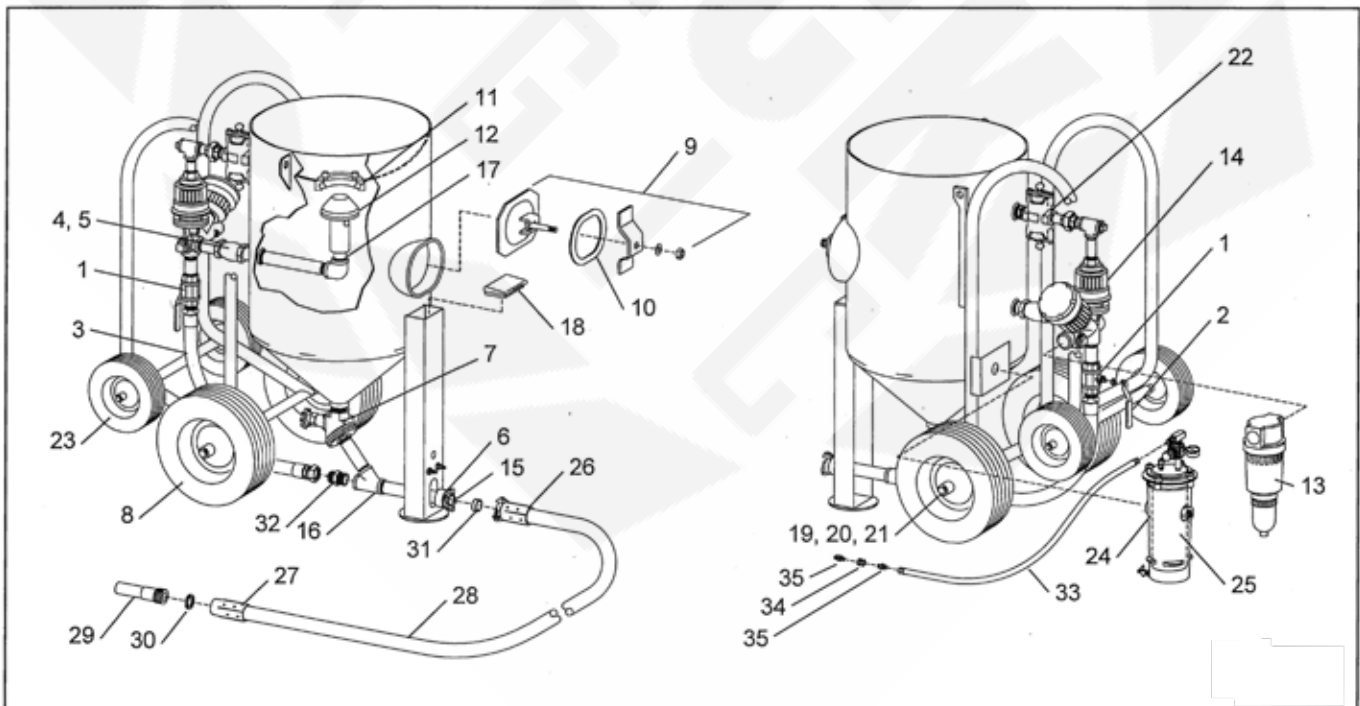
# Clemco Air Blast Equipment & Parts

## Contractor Blast Pot - 4 & 6 cu.ft. Pressure Release

Item	Description	Stock No.
1.	Ball valve, 1-1/4" with handle	02397
2.	Handle, 1-1/4" ball valve	22532
3.	Pusher line, 1-1/4" x 31" coupled	23675
4.	Compression coupling, 1-1/4"	01857
5.	Gasket, compression coupling, 1-1/4"	01886
6.	Coupling, 1-1/4" CFP for 4 cu. ft. w/8" nipple	21734
	6 cu. ft. w/10" nipple	21735
7.	Metering valve, man. Quantum w/wye	22845
8.	Wheel, primary, for 4 cu. ft., 12" dia. x 300	20426
	6 cu. ft., 16" dia. x 400	20427
9.	Inspection door assembly, 6" x 8"	02377
10.	Gasket, inspection door, 6" x 8"	02369
11.	Seal, pop-up valve	02325
12.	Pop-up valve, 4", with external sleeve	03699
13.*	Air filter, optional, 1-1/2" NPT manual drain	22363
14.	Millennium valve	21336
15.*	Gasket, CQGP-3, for CFP, pack of 10	08853
16.	Wye, standard 1-1/4"	01818
17.	Internal pop-up guide, 1-1/4" x 6" toe	01753
18.	Leg cap (manual tube cover)	21517
19.	Axle, 1" dia x 30.5"	02402
20.	Washer, 1" thrust	03825
21.	Retaining ring, 1"	03824

22.	Abrasive trap	02011
23.	Wheel, secondary, 10" x 2.75	20349
24.	CPF-20 Air filter, optional	03578
25.	Cartridge, CPF filter	03547
26.*	Coupling, nylon, for 4 cu. ft., CQPS-1	21088
	6 cu. ft., CQPS-2	08413
27.*	Nozzle holder, nylon, for 4 cu. ft., NHP-1	04106
	6 cu. ft., NHP-2	04127
28.*	Hose, Supa blast, for 4 cu. ft., 1" ID x 50 ft.	23104
	6 cu. ft., 1-1/4" ID x 50 ft.	23106
29.*	Nozzle, for 4 cu. ft., TMP-5	23521
	6 cu. ft., TXP-6	23525
30.*	Washer, nozzle, for 4 cu. ft., NW-25, pack of 10	91024
	6 cu. ft., NW-32, pack of 10	91026
31.*	Gasket, hose coupling, package of 10 CQGP-2, for 4 cu. ft. (for Item 26)	21584
	CQGP-3, for 6 cu. ft. (for Item 26)	08853
32.	Adaptor, 1-1/4" NPT x JIC	22529
33.**	Hose, 5-ft respirator extension, coupled.	24510
34.**	Fitting, 1/4" NPT bulkhead	05605
35.**	Adaptor, 1/4" NPT x 3/8" hose	01019

- \* Models shown are supplied with original blast machine systems.
- \*\* Supplied with factory-installed CPF-20 air filter option only.

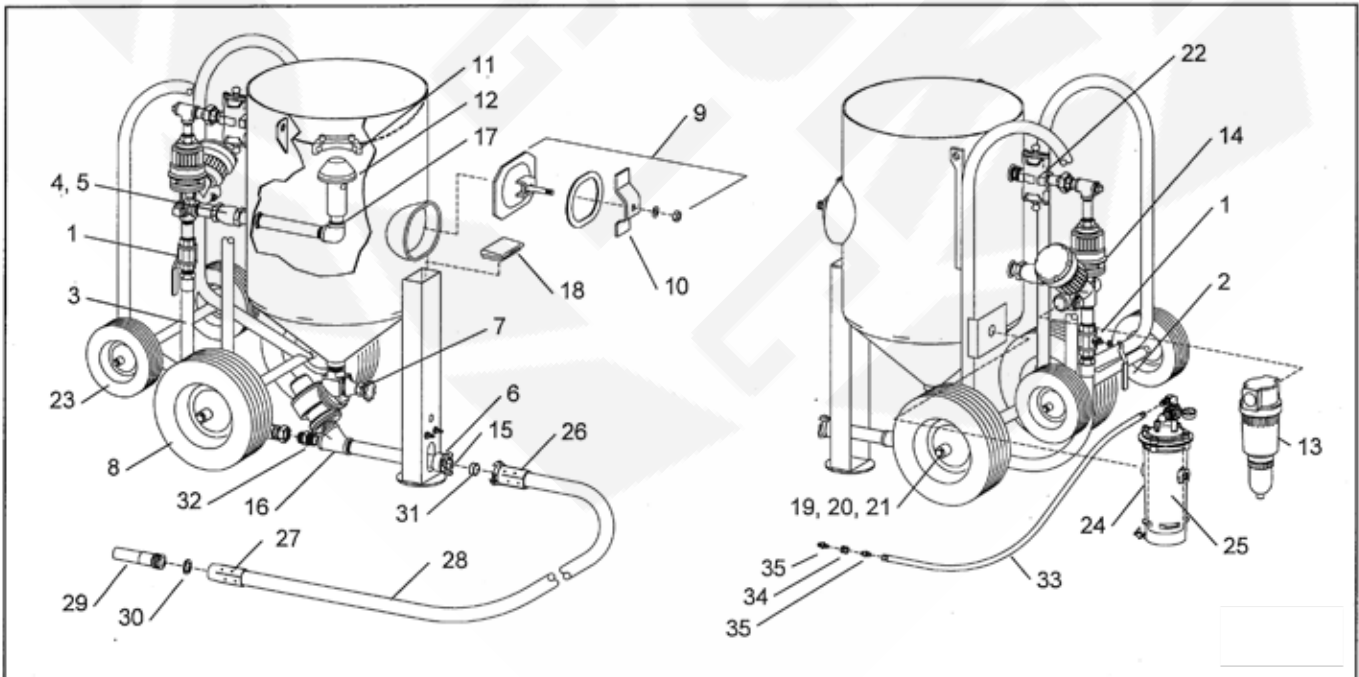


OSHA regulations require the use of remote controls on all abrasive blast pots. REF 29 CFR 1910.244 (B)

Contractor Blast Pot - 4 & 6 cu.ft. Pressure Release With ACS

Item	Description	Stock No.
1.	Ball valve, 1-1/4" with handle	02397
2.	Handle, 1-1/4" ball valve	22532
3.	Pusher line assembly, 1-1/4" x 31"	23675
4.	Compression coupling, 1-1/4"	01857
5.	Gasket, compression coupling, 1-1/4"	01886
6.	Coupling, 1-1/4" CF for 4 cu. ft. w/12" nipple	27720
	6 cu. ft. w/16.5" nipple	24197
7.	Auto-Quantum metering valve without wye and fittings	22760
	with 1-1/4-NPT wye and fittings	24447
8.	Wheel, primary, for 4 cu. ft., 12" dia. x 300	20426
	6 cu. ft., 16" dia. x 400	20427
9.	Inspection door assembly, 6" x 8"	02377
10.	Gasket, inspection door, 6" x 8"	02369
11.	Seal, pop-up valve	02325
12.	Pop-up valve, 4", with external sleeve	03699
13.*	Air filter, optional, 1-1/2" manual drain	22363
14.	Millennium inlet/outlet valve	21336
15.*	Gasket, CQG, pack of 10	00850
16.	Wye, standard 1-1/4"	01818
17.	Internal pop-up guide, 1-1/4" x 6" toe	01753
18.	Leg cap (manual tube cover)	21517
19.	Axle, 1" diameter x 30.5"	02402
20.	Washer, 1" thrust	03825
21.	Retaining ring, 1"	03824
22.	Abrasive trap	02011
23.	Wheel, secondary, 10" x 2.75	20349
24.	CPF-20 Air filter, optional	03578
25.	Cartridge, CPF filter	03547
26.*	Coupling, nylon, for 4 cu. ft., CQPS-1	21088
	6 cu. ft., CQPS-2	08413
27.*	Nozzle holder, nylon, for 4 cu. ft., NHP-1	04106
	6 cu. ft., NHP-2	04127
28.*	Hose, Supa blast, for 4 cu. ft., 1" ID x 50 ft.	23104
	6 cu. ft., 1-1/4" ID x 50 ft.	23106
29.*	Nozzle, for 4 cu. ft., TMP-5	23521
	6 cu. ft., TXP-6	23525
30.*	Washer, nozzle, for 4 cu. ft., NW-25, pack of 10	91024
	6 cu. ft., NW-32, pack of 10	91026
31.*	Gasket, hose coupling, package of 10 CQGP-2, for 4 cu. ft. (for Item 26)	08852
	CQGP-3, for 6 cu. ft. (for Item 26)	08853
32.	Adaptor, 1-1/4" NPT x JIC	22529
33.**	Hose, 5-ft respirator extension, coupled.	24510
34.**	Fitting, 1/4" NPT bulkhead	05605
35.**	Adaptor, 1/4" NPT x 3/8" hose	01019

\* Models shown are supplied with original blast machine systems.  
\*\* Supplied with factory-installed CPF-20 Air Filter option only.



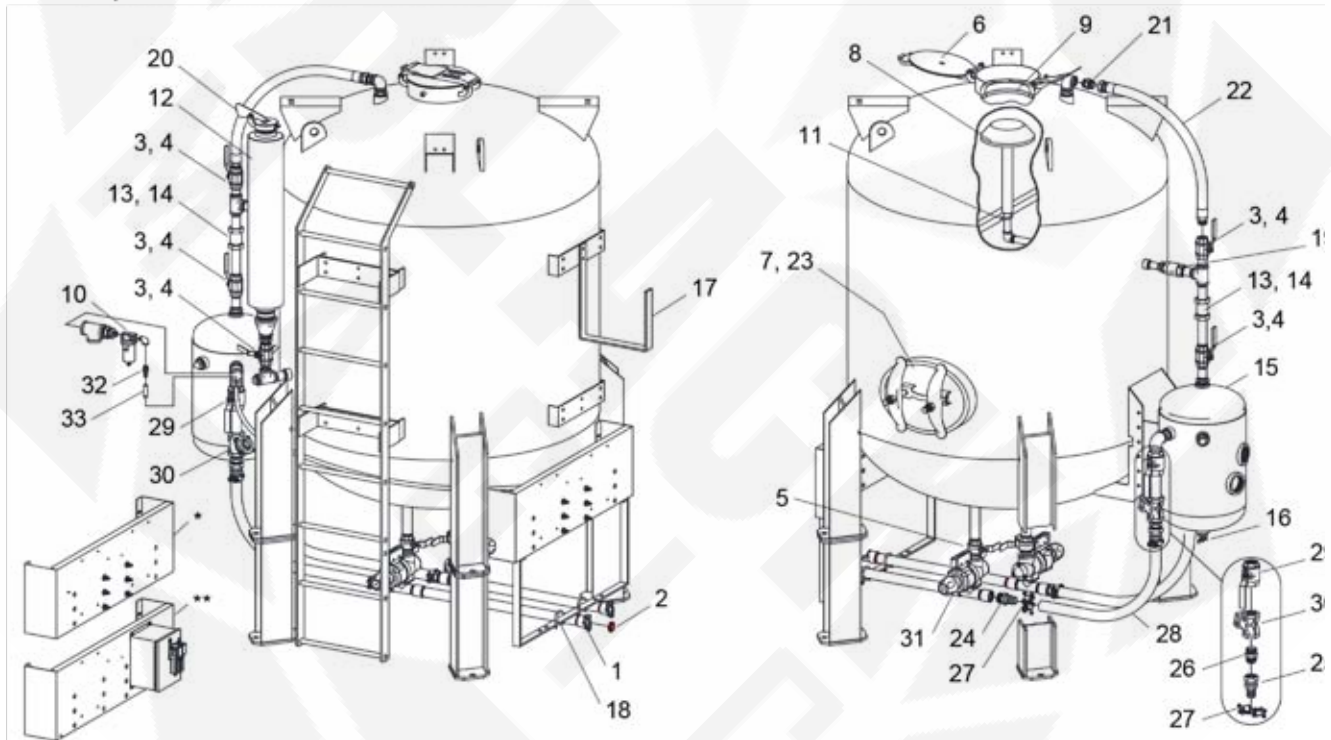
OSHA regulations require the use of remote controls on all abrasive blast pots. REF 29 CFR 1910.244 (B)

Clemco  
Blast Pots

# Clemco Air Blast Equipment & Parts

## Pro Series Big Clem Bulk Blast Pot

1. Coupling, CF-2 1-1/2" thread .....	00553	21. Adaptor, 1-1/4" NPT male x male JIC .....	22529
2. Gasket, coupling (package of 10).....	00850	22. Hose assembly, 1-1/4" ID	
3. Ball valve with handle, 1-1/4".....	02430	• 40" long, for 60 cuft machine .....	31196
4. Handle, 1-1/4" ball valve .....	22532	• 48" long for 120 cuft machine.....	31197
5. Ball valve, 1-1/2" flanged .....	31134	• 60" long for 160 cuft machine .....	31198
6. Gasket, fill port cover .....	30969	23. Door only, 14" x 18" manway .....	30636
7. Gasket, manway door .....	30971	24. Fitting, 1-1/2" MNPT x 1-1/2" hose barb.....	25284
8. Pop-up valve, 8" with 15" stem .....	30627	25. Fitting, fem JIC swivel x 1-1/2" hose barb .....	25283
9. Seal, 8" pop-up .....	05641	26 Adaptor, 1-1/2" NPT male x male JIC .....	25285
10. Air filter, 1/2" manual drain .....	01308	27. Clamp, 1-3/4" to 2-3/64" dia. bolt-on .....	25286
11. U-bolt, 5/16-18 x 1-3/4" inside width.....	03276	28. Hose 1-1/2" air, specify ft required .....	25282
12. Muffler, exhaust.....	30956	29. Valve, 1-1/2" ball.....	07596
13. Compression coupling, 1-1/4".....	01857	30. ACE, 1-1/2" air valve	
14. Gasket, 1-1/4" compression coupling.....	01886	• valve only, without fittings.....	25288
15. Water separator tank, 16" .....	30503	• valve assembly with fittings.....	31010
16. Petcock, 1/4" drain .....	01993	31. GritWizard abrasive metering valve	
17. Hanger, hose.....	05158	with shutoff ball valve .....	31158
18. U-bolt, 1/4-20 x 2" inside width .....	13854	32. Fitting, 1/2" NPT male x 1/2" hose barb.....	01745
19. Check valve, 1-1/4" .....	02088	33. Hose, 1/2" ID air, specify feet required .....	04905
20. Rain cap.....	30957		



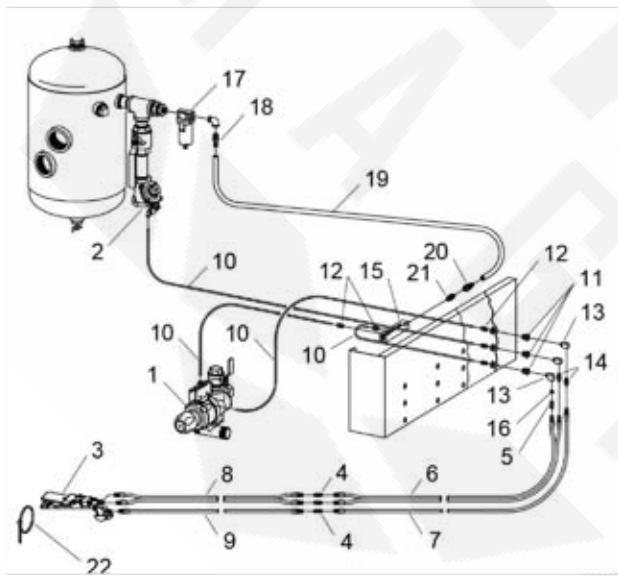
OSHA regulations require the use of remote controls on all abrasive blast pots. REF 29 CFR 1910.244 (B)

Clemco  
Blast Pots

Pro Series Big Clem Bulk Blast Pot - Remote Control Options

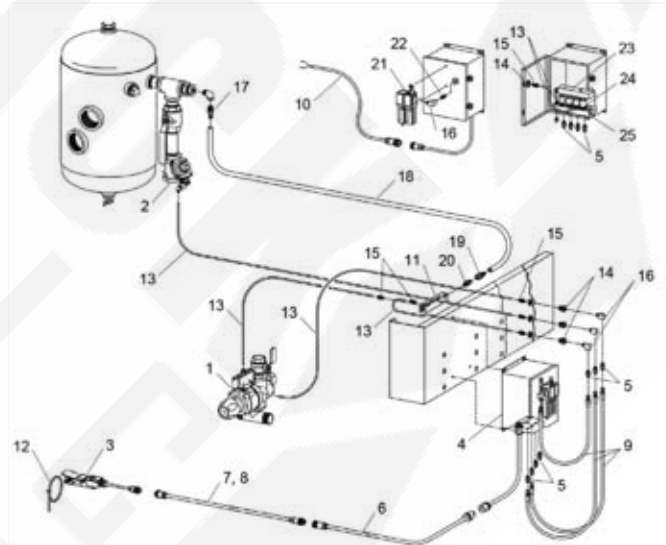
Pneumatic Remote Controls with ACS

1. GritWizard abrasive metering valve
  - with shutoff ball valve.....31158
2. ACE 1-1/2" air valve
  - valve only, without fittings.....25288
  - valve assembly with fittings.....31010
3. RLX control handle assembly, complete with ACS.....07625
4. Union, twinline hose.....01944
5. Adaptor, 1/8" NPT w/ 1/16" orifice.....01945
6. Hose, 52 ft coupled twinline, first hose.....28569
7. Hose, 52 ft coupled single-line, first hose.....28570
8. Hose, 50 ft coupled twinline, extension.....01951
9. Hose, 50 ft coupled single-line, extension.....03087
10. Tubing, 1/4" OD Poly, specify ft required.....12480
11. Fitting, 1/4" NPT female bulkhead.....05605
12. Fitting, 1/4" MNPT x 1/4" OD tube.....11737
13. Elbow, 1/4" brass street.....02027
14. Adaptor, straight 1/4" NPT x 1/4" MJIC.....02494
15. Manifold, 8 station control air.....30961
16. Bushing, 1/4" NPT x 1/8" NPT.....02010
17. Air filter, 1/2" manual drain.....01308
18. Fitting, 1/2" NPT male x 1/2" hose barb.....01745
19. Hose, 1/2" ID air, specify feet required.....04905
20. Fitting, 1/2" fem JIC swivel x 1/2" hose barb.....15002
21. Adaptor, straight 3/8" NPT x 1/2" MJIC.....11726
22. Nylon tie.....02195



Electric Remote Controls with ACS

1. GritWizard abrasive metering valve
  - with shutoff ball valve.....31158
2. ACE 1-1/2" air valve
  - valve only, without fittings.....25288
  - valve assembly with fittings.....31010
3. RLX electric control handle with ACS.....31167
4. Control panel, dual operator 12 volt, DC.....30963
5. Adaptor, straight 1/4" NPT x 1/4" MJIC.....02494
6. Cord, 50 ft. initial control, from panel.....31168
7. Extension cord, 50 ft. for ACS.....31148
8. Extension cord, 100 ft. for ACS.....31149
9. Hose, 3/16" x 18" long coupled.....02454
10. Supply cord pigtail, 12 volt.....31215
11. Manifold, control air.....30961
12. Nylon tie.....02195
13. Tubing, 1/4" OD Poly, specify ft required.....12480
14. Fitting, 1/4" NPT female bulkhead.....05605
15. Fitting, 1/4" MNPT x 1/4" OD tube.....11737
16. Elbow, 1/4" brass street.....02027
17. Fitting, 1/2" NPT male x 1/2" hose barb.....01745
18. Hose, 1/2" ID air, specify feet required.....04905
19. Fitting, 1/2" fem JIC swivel x 1/2" hose barb.....15002
20. Adaptor, straight 3/8" NPT x 1/2" MJIC.....11726
21. Filter lubricator assembly.....31093
22. Nipple, 1/4-NPT brass hex.....02808
23. Valve bank assembly, 4 solenoid.....31096
24. Solenoid, individual 4-bank replacement.....31218
25. Gasket, valve bank assembly manifold.....31095



Clemco  
Blast Pots

OSHA regulations require the use of remote controls on all abrasive blast pots. REF 29 CFR 1910.244 (B)

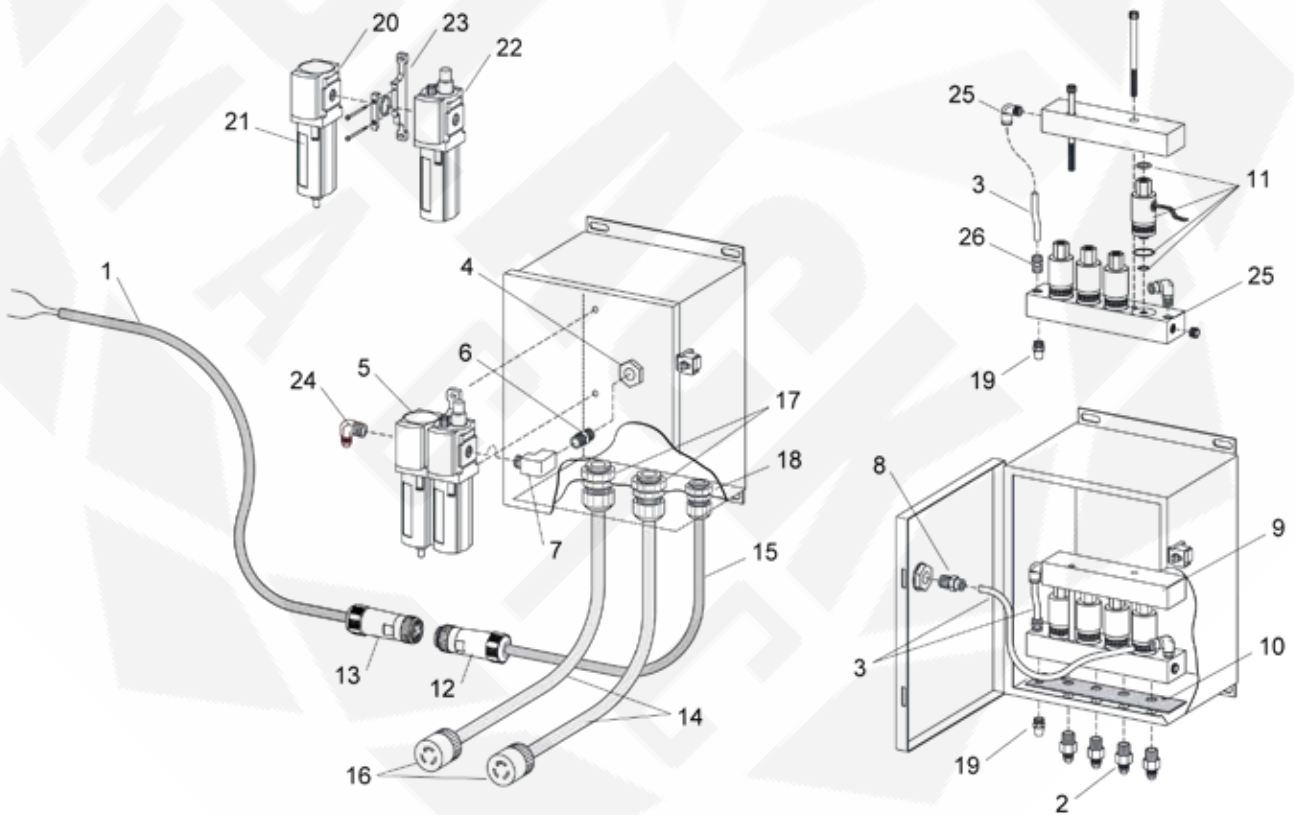
# Clemco Air Blast Equipment & Parts

## Pro Series Big Clem Bulk Blast Pot - Control Panel

### Electric Control Panel

Units are each unless otherwise noted

Item	Description	Stock No.
(-)	Control panel assembly, dual operator	30963
1.	Supply cord pigtail, 12 volt, incl. item 13	31169
2.	Adaptor, straight 1/4" NPT x 1/4" MJIC	02494
3.	Tubing, 1/4" OD Poly, per foot specify ft required	12480
4.	Fitting, 1/4" NPT female bulkhead	05605
5.	Filter-antifreeze injector assembly	31093
6.	Nipple, 1/4-NPT brass hex	02808
7.	Elbow, 1/4" brass street	02027
8.	Fitting, 1/4" MNPT x 1/4" OD tube, straight	11737
9.	Valve bank assembly, 4 solenoid	31096
10.	Gasket, valve bank assembly manifold	31095
11.	Solenoid, individual replacement, each Includes O-rings	3121
12.	Connector, Lo-Profile male	3114
13.	Connector, Lo-Profile female	3114
14.	Control cord, 5 ft., includes item 16	0767
15.	Supply cord, includes item 12	3121
16.	Connector, 3-prong female twist-lock	0632
17.	Strain relief, 3/4" NPT	3039
18.	Strain relief, 1/2" NPT	3039
19.	Muffler/filter, 1/8" NPT	3134
20.	Filter, 1/4" NPT, manually rotating drain	3134
21.	Filter cartridge replacement, 40 µm filter	3135
22.	Lubricator, (antifreeze injector), 1/4" NPT	3135
23.	Mount, filter/lubricator	3135
24.	Elbow adaptor, 1/4" NPT x 1/4" MJIC	0251
25.	Elbow, 1/8" x 1/4" OD tube swivel	3135
26.	Fitting, 1/8" x 1/4" OD tube	3115

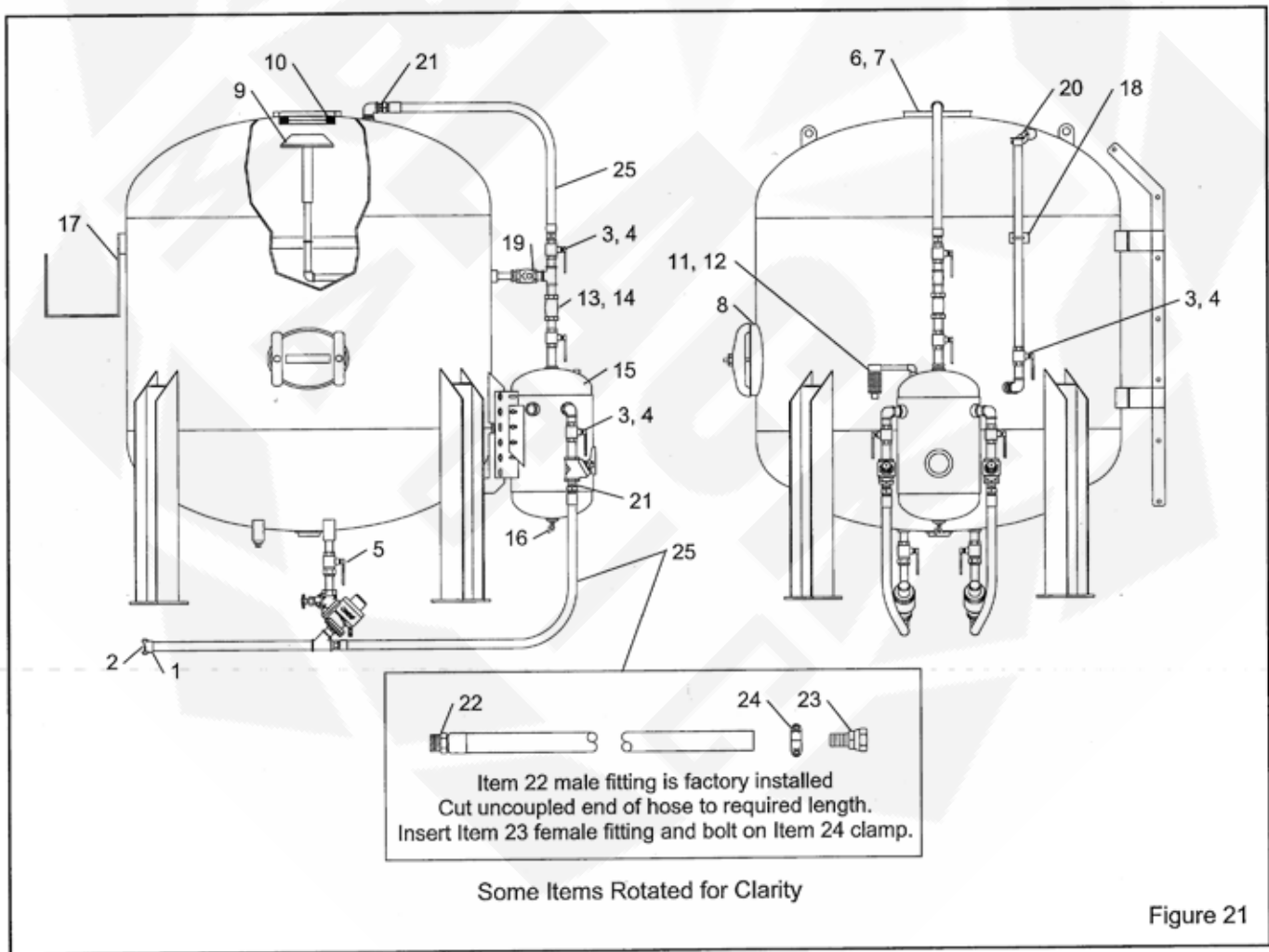




# Clemco Air Blast Equipment & Parts

## Big Clem Bulk Blast Pot

Item	Description	Stock No.
1.	Coupling, 1-1/4" thread .....	00551
2.	Gasket, coupling (package of 10) .....	00850
3.	Ball valve w/ handle, 1-1/4" .....	02397
4.	Handle, 1-1/4" ball valve .....	22532
5.	Union/ball valve, 1-1/4" .....	25783
6.	Cover, pop-up fill port .....	05644
7.	Screen, pop-up fill port .....	05645
8.	Gasket, manway door .....	20184
9.	Pop-up valve w/stem, 8" .....	05643
10.	Seal, 8" pop-up seat .....	05641
11.	Air filter, 1/2" .....	03987
12.	Element, 1/2" filter .....	03986
13.	Compression coupling, 1-1/4" .....	01857
14.	Gasket, 1-1/4" compression coupling .....	01886
15.	Water separator tank, 16" .....	25753
16.	Petcock, 1/4" .....	01993
17.	Hanger, hose .....	05158
18.	U-bolt 5/16" .....	03276
19.	Check valve, 1-1/4" .....	02088
20.	Rain cap .....	20829
21.	Adaptor, 1-1/4" NPT male x male JIC .....	22529
22.	Fitting, 1-1/4" NPT male x 1-1/4" barb .....	22777
23.	Fitting, female JIC swivel x 1-1/4" barb .....	22778
24.	Clamp, 1-3/4 to 2-3/64 dia. bolt-on .....	25286
25.	Hose assembly (pusher line and air line) Includes: 84-in. long 1-1/4"ID air hose coupled with a male fitting (item 22) on one end, Items 23 and 24 are shipped loose .....	25728



Clemco  
Blast Pots

# Clemco Air Blast Equipment & Parts

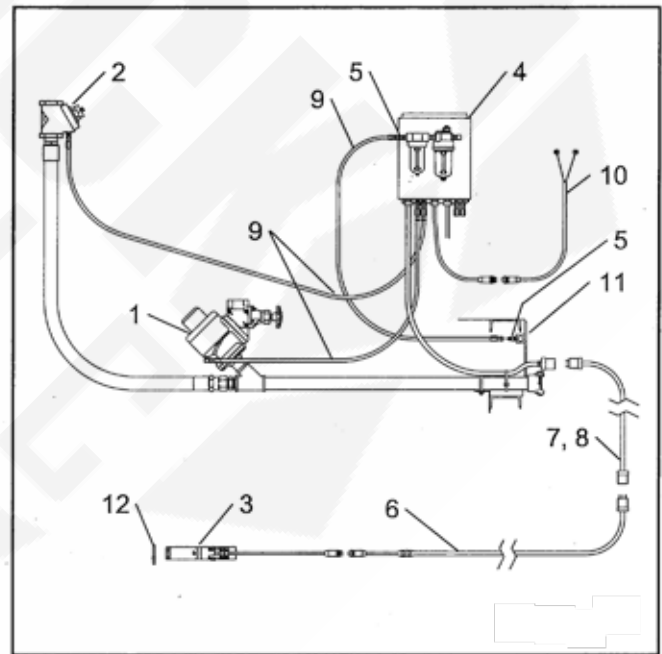
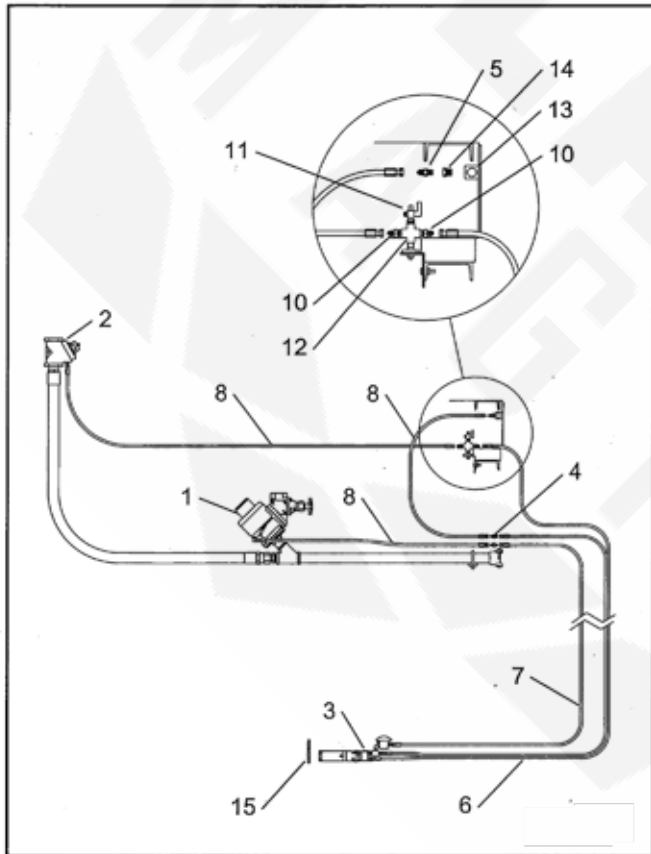
## Big Clem Bulk Blast Pot - Remote Control Options

### Pneumatic Remote Controls

Item	Description	Stock No.
1.	Auto-Quantum metering valve with wye, pipe nipples and fittings .....24447 without wye, pipe nipples and fittings .....22760	
2.	ACE air valve assembly with fittings .....24044	
3.	RLX control handle assembly, complete with ACS .....07625	
4.	Union, twinline hose .....01944	
5.	Adaptor, 1/8" NPT w/ 1/16" orifice .....01945	
6.	Hose, twinline 3/16 in. x 50 ft. coupled .....01951	
7.	Hose, single-line, 3/16 in. x 50 ft., cpld. ....03087	
8.	Hose, single-line interconnecting 3/16 in. x 3 ft. coupled .....02498 3/16 in. x 5 ft. coupled .....03083 * 3/16-in x 12-ft. coupled on one end coupling for other end shipped loose .....28627	
10.	Adaptor, straight 1/4" NPT x 1/4" MJIC .....02494	
11.	Petcock, 1/4" .....01993	
12.	Cross, 1/4" brass .....02193	
13.	Manifold, control air .....25880	
14.	Bushing, 1/4" NPT x 1/8" NPT .....02010	
15.	Nylon tie .....02195	

### Electric Remote Controls

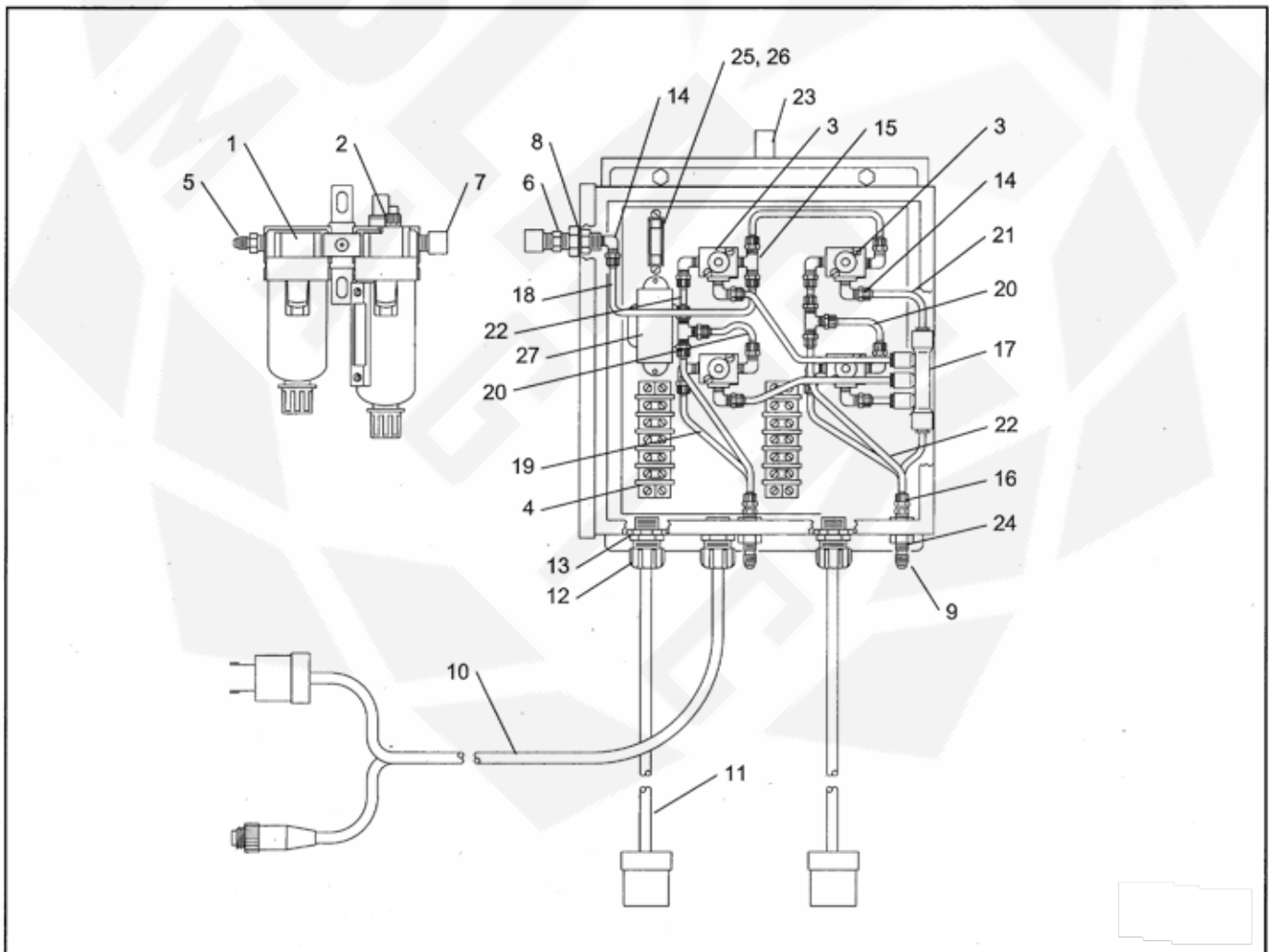
Item	Description	Stock No.
1.	Auto-Quantum metering valve with wye, pipe nipples and fittings .....24447 less wye, pipe nipples and fittings .....22760	
2.	ACE air valve valve assembly with fittings .....24044 valve only, without fittings .....24074	
3.	RLX electric control handle .....10840	
4.	Control panel, dual operator 12 volt, DC .....05622 120 volt, AC .....07651	
5.	Adaptor, straight 1/4" NPT x 1/4" MJIC .....02494	
6.	Cord, 50 ft. control w/ACS switch .....10847	
7.	Extension cord, 50 ft. for ACS .....15138	
8.	Extension cord, 100 ft. for ACS .....19528	
9.	Hose, single-line interconnecting 3/16 in. x 3 ft. coupled .....02498 3/16 in. x 5 ft. coupled .....03083 * 3/16-in x 12-ft. coupled on one end coupling for other end shipped loose .....28627	
10.	Pigtail, for 12 volt DC only, with lo-profile connector .....10831	
11.	Manifold, control air .....25880	
12.	Nylon tie .....02195	



\* Hose end installed on one end, hose end fitting for other end is supplied but shipped loose. Cut hose to length and install hose end

Big Clem Bulk Blast Pot - Control Panel

Item	Description	Stock No.
	<b>Control Panel</b>	
(-)	Control panel, dual operator	
	12-volt DC .....	05622
	120-volt AC .....	07651
1.	Air filter, 1/4" .....	05617
2.	Antifreeze injector, 1/4" .....	05616
3.	Valve, 3-way,	
	12-volt DC (for 12-volt panel) .....	07664
	12-volt AC (for 120-volt panel) .....	07662
4.	Terminal block, 5 pole .....	02268
5.	Adaptor, straight 1/4" NPT x 1/4" MJIC .....	02494
6.	Hex nipple, 1/4" NPT .....	02808
7.	Elbow, 1/4" brass street .....	02027
8.	Coupling, 1/4" female bulkhead .....	05605
9.	Adaptor, 1/4" MJIC x 1/8" NPT bulkhead .....	03432
10.	Supply cord, 5-ft.	
	12-volt, with lo-profile connector .....	10833
	120-volt, with twist-lock connector .....	02216
11.	Cord, control whip .....	07675
12.	Connector, 1/2" strain relief .....	02213
13.	Locknut, 1/2" conduit .....	02925
14.	Elbow, male 1/4" NPT x 1/4" tube .....	03428
15.	Tee, 1/4" tube .....	03351
16.	Connector, 1/8" NPT x 1/4" tube .....	03430
17.	Manifold, 5-outlet tubing .....	05619
18.	Tubing, 1/4" white, specify ft. required .....	03427
19.	Tubing, 1/4" red, specify ft. required .....	05612
20.	Tubing, 1/4" blue, specify ft. required .....	05613
21.	Tubing, 1/4" green, specify ft. required .....	05614
22.	Tubing, 1/4" orange, specify ft. required .....	05615
23.	Bracket, panel mount .....	04188
24.	Bushing, 1/4-NPT x 1/8 (exhaust port) .....	02010
25.	Fuse, 2-amp 1/4" x 1-1/4", 120-volt only .....	03039
26.	Fuse block, 120-volt only .....	03040
27.	Transformer, 12.6-volt, 120-volt only .....	02198



## Pop-up Valves for Clemco Blast Pots and Big Clem

### For 14-inch through 36-inch diameter Blast Machines

To determine appropriate pop-up valve, measure the diameter of the opening in the blast machine head; and also determine if the machine has single- or dual-inlet piping. Machines with dual-inlet piping have an external pipe connecting inlet and outlet piping and were manufactured prior to June 1983.

#### 4-inch Blast Machine Head Opening

##### Current Models

Single-inlet piping: Pop-up valve has aluminum sleeve that fits over 1-1/4" internal pipe.

- Pop-up valve.....03699
- Pop-up valve, Soft King .....21769
- Pop-up valve seat \* .....02325
- Pop-up valve seat\* (neoprene).....02380

\*Seat dimensions: 4" ID x 5.5" OD

##### Old-Style Models

Dual-inlet piping: Pop-up valve has 1/2" steel stem that fits inside 1" internal pipe.

- Pop-up valve.....02321
- Pop-up valve seat\* (tan rubber) .....02325
- Pop-up valve seat\* (black neoprene).....02380

\*Seat dimensions: 4" ID x 5.5" OD

### 5-1/2 inch Blast Machine Head Opening

##### Old-Style Models

Single-inlet piping: Pop-up valve has aluminum sleeve that fits over 1-1/4" internal pipe.

- Pop-up valve.....03689
- Pop-up valve seat\*\* .....02343

\*\*Seat dimensions: 6" ID x 7.5" OD

##### Old-Style Models

Dual-inlet piping: Pop-up valve has 1/2" steel stem that fits inside 1" internal pipe.

- Pop-up valve.....02375
- Pop-up valve seat\*\* .....02343

\*\*Seat dimensions: 6" ID x 7.5" OD

### For 10-inch diameter blast machines and Super Comet

##### Current Models

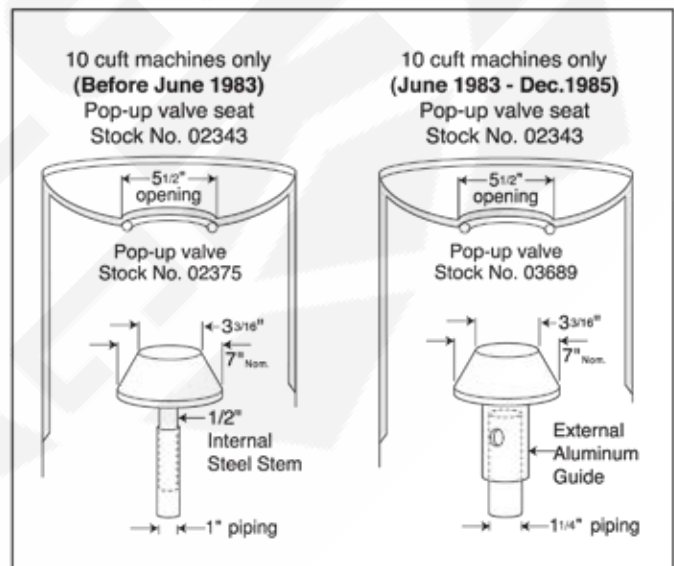
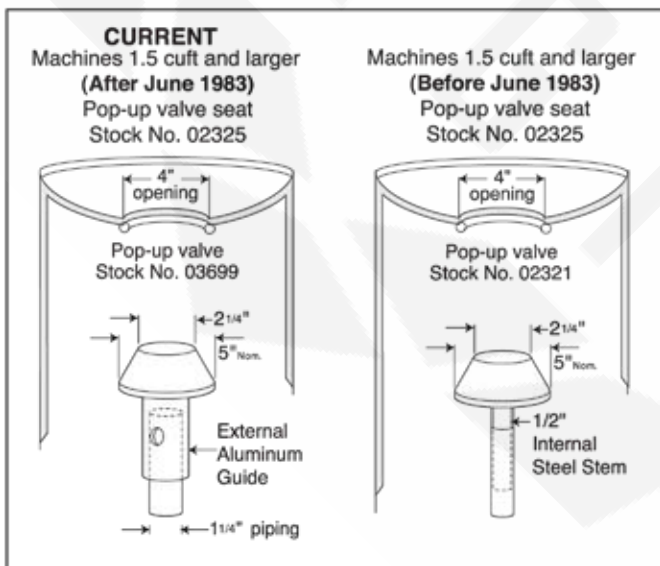
- Pop-up valve.....01242
- Pop-up valve seat .....01245

Seat dimensions: 1.35" ID x 2.125" OD

##### Pro-Series Big Clem Pop-Valves: Current Models

- Pop-up valve.....30627
- Pop-up valve seat .....05641

Seat dimensions: 8" ID x 9.5" OD



Clemco Blast Pots